

Deseen International

Cast steel valve and Stainless valve



1. 金属硬密封蝶阀概述 Metallic hard sealing butterfly valve

产品结构及性能简介 Product structure and performance synopsis

硬密封蝶阀(三维偏心)系列产品, 系我公司新开发的长寿命、节能型蝶阀。产品符合国家标准GB/TB527-97 (金属密封蝶阀)、GB/T 13927-92 (通用阀门压力试验) 及阀门其它相关标准的规定。

本产品由阀体、蝶板、密封圈、传动机构等主要部件组成。其结构采用三维偏心原理设计, 弹性密封和硬软多层次密封兼容的加工新工艺, 使蝶阀在运行时, 减少其扭矩, 达到省力、节能之功效。同时确保蝶阀整体的抗腐蚀、耐高温、抗磨损的可靠性。其主要性能特点是:

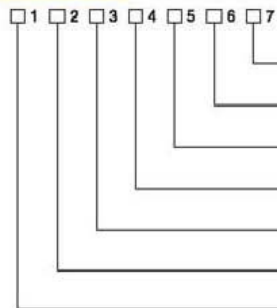
1. 结构独特、型小轻便、操作灵活、省力、方便;
2. 密封可靠, 可满足各级标准;
3. 流量特性好, 且具有调节功能;
4. 采用三维偏心原理, 使密封面近似零磨损, 延长了阀门使用寿命;
5. 应用范围广。如: 可用于水、蒸气、油品、空气、煤气等介质;
6. 适用不同温度及6.4MPa以下的压力等级、腐蚀等各种工况之管綫。

Three-dimensional eccentric hard sealing butterfly valve is a new product, which is produced by this company with long service life and energy saving. The product measures up to national standard of GB/TB527-97 (metallic sealed butterfly valve), GB/T13927-92 (general valve pressure test) and regulations about other relative standards of valve.

This product is composed of body, disc, gasket, operating device etc. The structure design is according to principle of three dimensional eccentricity, new processing technology of flexible seal and hard & soft multiple layers seal, when the butterfly valve operation, it can reduce the twisting force, reach to the function of saving labor and energy. Thereby ensure holistically antisepeis, high temperature-resistant, wearable reliability of valve. The main characteristic such as:

1. Particular structure, small bulk, operation skillfully, laborsaving, convenience
2. Seal reliably, it can reach to gas seal with no leakage.
3. Flux capability to direct line and best adjusting capability.
4. It adopts the principle of three-dimensional eccentricity, and facing near zero wearing, prolong service life of valve.
5. Wide applied range, it can use medium such as: water, steam, oil, air, gas etc.
6. Appropriate different temperature and thereafter of 6.4MPa pressure class, resistant wearable medium tube and so on.

产品型号表示方法 Model of product



- 1. 阀体材料代号 C-碳钢、P-不锈钢、R-铬镍钢
Valve material code name C-Carbon steel, P-Stainless steel, R-Cr.Ni Steel
- 2. 公称压力值代号 (单位: 0.1MPa)
Nominal pressure code name
- 3. 密封面材料代号 H-不锈钢、F-F4耐腐、W-本体、X-橡胶
Seal material code name H-Stainless steel, F-F4, W-Essence, X-Rubber
- 4. 结构形式代号 3-偏心式、1-中线式
structure type code name 3-Lack of impartiality type, 1-Centerline type
- 5. 连接型式代号 7-对夹式、4-法兰式、6-焊接式 (预插式)
Connection type code name 7-type, 4-Flange type
- 6. 传动方式代号 3-蜗轮传动、9-电动传动、8-气动传动、7-液动
Drive type code name 3-Worm wheel, 9-Electric drive, 8-Pneumatic drive, 7-Liquid
- 7. 阀门类别代号 D-蝶阀
Valve sort code name D-Butterfly valve

如: D373H-16c	弹性对夹式蜗轮传动硬密封蝶阀	压力等级1.6MPa	
D343H-16c	弹性法兰式蜗轮传动硬密封蝶阀	压力等级1.6MPa	
D373H-16c	多层次对夹式蜗轮传动硬密封蝶阀	压力等级1.6MPa	
D343H-16c	多层次法兰式蜗轮传动硬密封蝶阀	压力等级1.6MPa	
Such as: D373H-16c	Elastic wafer worm wheel operated hard sealing butterfly valve	Pressure class 1.6MPa	
D343H-16c	Elastic flange worm gear operated hard sealing butterfly valve	Pressure class 1.6MPa	
D373H-16c	Multiple layers wafer worm gear operated hard sealing butterfly valve	Pressure class 1.6MPa	
D343H-16c	Multiple layers flange worm gear operated hard sealing butterfly valve	Pressure class 1.6MPa	

用途 Purpose

本蝶阀适用于食品、医药、石油化工、电厂、钢厂、工业环保水处理及城市建设管道上作调节流量和可靠性截断流体最佳装置。

This kind of butterfly valve is suitable for foodstuff, pharmacy, petroleum chemical industry, electric plant, steel plant, industrial environmental protection, water treatment and high building, for adjusting flux on water supply tube.

Deseen International

Cast steel valve and Stainless valve



结构特点 Structure and characteristic

本蝶阀系吸收、消化国内外技术，并结合国内用户意见和本公司多年来从生产中积累的经验而精心研制的新一代产品。

- 1、采用三维偏心结构，阀体密封面采用弹性金属圈或多层次密封圈，使蝶板密封面同阀体密封面均匀可靠接触，密封性能可靠；
- 2、采用了独特的结构，从而使得结构独特、操作灵活、省力、方便、使用寿命长；
- 3、根据不同的工况和要求，能满足耐高温、耐腐蚀、耐磨损的要求。

This kind of butterfly valve is new and superior product, which introduced technology from abroad, and combine domestic and oversea user's requirements and experience accumulation from production.

- 1.It adopt three-dimension eccentric configuration
- 2.Particular configuration, operation skillful, labor-saving, convenient, and long service life.
- 3.High temperature resistant, antiseptis, wearable of three-dimensional eccentricity.

主要技术参数 Main technology parameter

公称直径 Nominal diameter	DN (mm)	50-2000				
公称压力 Nominal pressure	PN(MPa)	0.6	1.0	1.6	2.5	4.0
试验压力 Pa(MPa) Test pressure	强度试验 Shell test	0.9	1.5	2.4	3.75	6.0
	密封试验 Seal test	0.66	1.1	1.76	2.75	4.4
	气密封试验 Gas seal test	0.6	0.6	0.6	0.6	0.6
适用介质 Appropriate medium	尘气、煤气、水、蒸气、油品、酸类腐蚀性等 Water, steam, oil, acid corrosion and so on.					
适用温度 Appropriate temperatuer	碳钢 Carbon steel: -29℃ - 350℃ 不锈钢 Stainless steel: -40℃ - 600℃					

主要零件的材质 Material for main parts

零件名称 Parts name	材料 Material
阀体 Body	铸铁、铸钢、不锈钢、合金钢 Cast iron, cast steel, stainless steel, alloy steel
蝶板 Disc	铸钢、合金钢 (镀硬铬)、不锈钢 Cast steel, Alloy steel, stainless steel,
阀体密封副 Seat seal ring	不锈钢、聚四氟、抗磨材料 Stainless steel, polytetrafluoroethylene, wear resistant material
阀杆 Stem	优质碳钢、合金钢、不锈钢 Superior quality Carbon steel, Metal alloy steel, Stainless steel,
填料 Packing	橡胶、柔性石墨 Flexible graphite

采用标准 Adoption standard

设计标准 Design standard: GB/T12238-1989, GB9115.6-11-1989, 也可由用户指定。

结构长度 Structure length: GB/T12221-1989 GB/T15188.2-1994

压力试验 Pressure test: GB/T13927-1992; JB/T9092-1999

电动装置 Electric device

电动装置类型: 部分回转型, 如HE系列 (黄山产)、DQW系列 (扬州产)、HBC/SMC/QB系列 (天津产)、802系列/903系列 (天津北方)、DQ系列 (常州产) 等, 也可由用户指定。

电源电压: 三相380VAC, 50HZ.

Electromotor actuator type: Partial turning pattern, such as DQW series (Made in Yangzhou), HBC/SMC/QB series (Made in Tianjin), 802 series/903 series (Northern of Tianjin), DQ series of (Made in Changzhou) etc. and it can be specified by user.

Electrical source voltage: Three phases 380VAC, 50HZ.

气动装置 Pneumatic device

气动装置类型: AG/AW/C系列 (四川自贡阿尔法)、TAC系列 (天津阀门公司) 等, 也可由用户指定。

电源电压: 三相380VAC, 50HZ. 也可由用户指定 (比如24V等)。

Pneumatic actuator type: AG/AW/C series (Sichuan Zigong Aerfa), TAC series (Tianjin Valve Company), electrical source and voltage: three phases 380VAC, 50HZ.

附: 本样本部分参数的变更, 恕不另行通知。

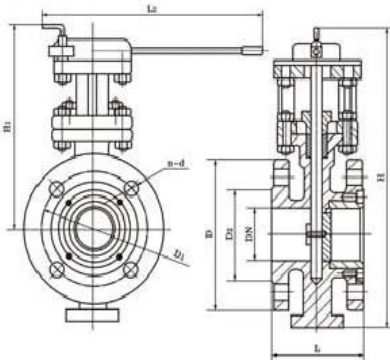
Deseen International
Cast steel valve and Stainless valve



1.1、 $D_{73}^{4/3H}_F$ C.P.R.V系列手柄式金属弹性硬密封、聚四氟密封偏心蝶阀
 Lever metallic elastic hard sealing, PTFE sealing eccentric butterfly valve



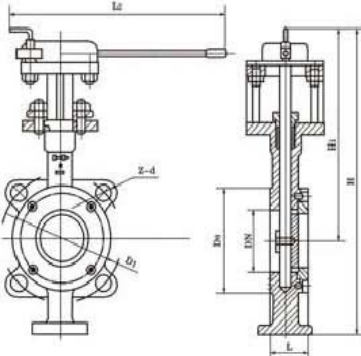
弹性硬密封
 $D43^H_F$



$D43^H_F$



弹性硬密封
 $D73^H_F$



$D73^H_F$

Deseen International

Cast steel valve and Stainless valve



D43_F-114 C.P.R.V系列法兰式弹性硬密封、聚四氟密封蝶阀 Flange type elastic hard sealing, PTFE sealing butterfly valve

公称直径 DN Nominal diameter		结构长度 (标准值) Structure length (standard)	外形尺寸(参考值) External dimension (consult)				连接尺寸 Conjunction Size											
毫米 mm	英寸 inch		L	L2	H	H1	1.0MPa				1.6MPa				2.5MPa			
						D	D1	D2	n-d	D	D1	D2	n-d	D	D1	D2	n-d	
50	2	108	265	325	240	165	125	99	4-18	165	125	99	4-18	165	125	99	4-18	
65	2 1/2	112	265	340	250	185	145	118	4-18	185	145	118	4-18	185	145	118	8-18	
80	3	114	320	355	255	200	160	132	8-18	200	160	132	8-18	200	160	132	8-18	
100	4	127	320	400	275	220	180	158	8-18	220	180	156	8-18	235	190	156	8-22	
125	5	140	340	435	300	250	210	184	8-18	250	210	184	8-18	270	220	184	8-26	
150	6	140	390	455	310	285	240	211	8-22	285	240	211	8-22	300	250	211	8-26	

D73_F-114 C.P.R.V系列对夹式弹性硬密封、聚四氟密封蝶阀 Wafer type elastic hard sealing, PTFE sealing butterfly valve

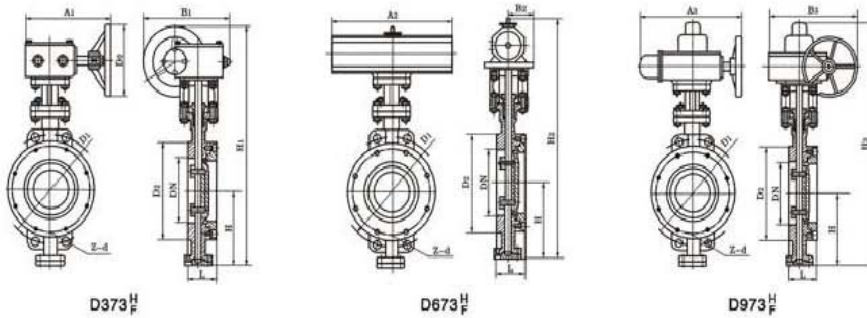
公称直径 DN Nominal diameter		结构长度 (标准值) Structure length (standard)	外形尺寸(参考值) External dimension (consult)				连接尺寸 Conjunction Size					
毫米 mm	英寸 inch		L	L2	H	H1	1.0MPa		1.6MPa		2.5MPa	
						D1	Z-d	D1	Z-d	D1	Z-d	
50	2	43	265	330	250	125	4-18	125	4-18	125	4-18	
65	2 1/2	46	265	362	267	145	4-18	145	4-18	145	8-18	
80	3	49	320	375	275	160	8-18	160	8-18	160	8-18	
100	4	56	320	410	295	180	8-18	180	8-18	190	8-22	
125	5	64	340	425	305	210	8-18	210	8-18	220	8-26	
150	6	70	390	465	320	240	8-22	240	8-22	250	8-26	

Deseen International

Cast steel valve and Stainless valve



1.2、 $\frac{3}{4}$ D673^H_F-^{0.5}₉ C.P.R.V系列对夹式弹性硬密封、聚四氟密封蝶阀 Wafer type elastic hard sealing, PTFE sealing butterfly valve



D173H-⁰₁₀ C.P.R.V系列对夹式弹性金属硬密封蝶阀 Wafer type elastic metallic hard sealing butterfly valve

公称直径DN Nominal diameter	结构长度(标准值) Structure length (standard)	外形尺寸(参考值)External dimension(consult)											连接尺寸(标准值) Connection dimension(standard)			
		L	H	D373H			D673H			D973H			PN0.6MPa		PN1.0MPa	
				H1	A1	B1	H2	A2	B2	H3	A3	B3	D1	Z-d	D1	Z-d
50	2	43	112	350	180	200	625	245	72	530	250	255	110	4-14	125	4-18
65	2 1/2	46	115	370	180	200	625	245	72	530	250	255	130	4-14	145	4-18
80	3	49	120	380	180	200	645	245	72	565	250	255	150	4-18	160	8-18
100	4	56	138	420	180	200	675	355	92	600	250	255	170	4-18	180	8-18
125	5	64	164	460	180	200	715	355	92	640	250	255	200	8-18	210	8-18
150	6	70	175	555	270	280	800	355	92	705	300	315	225	8-18	240	8-22
200	8	71	208	605	270	280	850	250	170	775	300	315	280	8-18	295	8-22
250	10	76	243	680	270	280	925	250	170	945	300	315	335	12-18	350	12-22
300	12	83	283	800	380	420	1035	450	220	1070	300	315	395	12-22	400	12-22
350	14	92	310	835	380	420	1070	450	220	1140	300	315	445	12-22	460	16-22
400	16	102	340	915	450	470	1190	450	220	1210	300	315	495	16-22	515	16-26
450	18	114	380	960	480	490	1250	650	280	1335	575	714	550	16-22	565	20-26
500	20	127	410	1020	480	490	1290	650	280	1415	575	714	600	20-22	620	20-26
600	24	154	470	1225	480	490	1455	850	380	1605	656	810	705	20-26	725	20-30
700	28	165	550	1355	640	660	1585	850	380	1844	656	810	810	24-26	840	24-30
800	32	190	640	1470	640	660	1700	1250	380	2040	656	810	920	24-30	950	24-33
900	36	203	710	1545	750	880	1985	1250	380	2255	785	863	1020	24-30	1050	28-33
1000	40	216	770	1795	850	900	2015	1250	380	2380	785	863	1120	28-30	1160	28-36
1200	48	254	890	1965	850	900	2250	1250	380	2640	785	863	1340	32-33	1380	32-39

Deseen International

Cast steel valve and Stainless valve



D373H-16 C.P.R.V系列对夹式弹性金属硬密封蝶阀 Wafer type elastic metallic hard sealing butterfly valve

公称直径DN Nominal diameter		结构长度(标准值) Structure length (standard)	外形尺寸(参考值) External dimension(consult)									连接尺寸(标准值) Connection dimension(standard)				
			H	D373H			D673H			D973H			PN1.6MPa		PN2.5MPa	
毫米mm	英寸inch	L		H1	A1	B1	H2	A2	B2	H3	A3	B3	D1	Z-d	D1	Z-d
50	2	43	112	350	180	200	625	245	72	530	250	255	125	4-14	125	4-18
65	2 1/2	46	115	370	180	200	625	245	72	530	250	255	145	4-14	145	8-18
80	3	49	120	380	180	200	645	245	72	565	250	255	160	8-18	160	8-18
100	4	56	138	420	180	200	675	355	92	600	250	255	180	8-18	190	8-22
125	5	64	164	460	180	200	715	355	92	640	250	255	210	8-18	220	8-26
150	6	70	175	555	270	280	800	355	92	705	300	315	240	8-22	250	8-26
200	8	71	208	605	270	280	850	250	170	775	300	315	295	12-22	310	12-26
250	10	76	243	680	270	280	925	250	170	945	300	315	355	12-26	370	12-30
300	12	83	283	825	380	420	1035	450	220	1070	300	315	410	12-26	430	16-30
350	14	92	310	900	380	420	1070	450	220	1140	300	315	470	16-26	490	16-33
400	16	102	340	980	450	470	1190	450	220	1210	300	315	525	16-30	550	16-36
450	18	114	380	1030	480	490	1250	650	280	1335	575	714	585	20-30	600	20-36
500	20	127	410	1105	480	490	1290	650	280	1415	575	714	650	20-33	660	20-36
600	24	154	470	1310	480	490	1455	850	380	1605	656	810	770	20-36	770	20-39
700	28	165	550	1435	640	660	1585	850	380	1844	656	810	840	24-36	875	24-42
800	32	190	640	1605	640	660	1700	1250	380	2040	656	810	950	24-39	990	24-48
900	36	203	710	1745	750	860	1865	1250	380	2255	785	863	1050	28-39	1090	28-48
1000	40	216	770	1885	850	900	2015	1250	380	2380	785	863	1170	28-42	1210	28-56
1200	48	254	890	2105	850	900	2250	1250	380	2640	785	863	1390	32-48	1420	32-56

用户注意：表中H1、H2、H3、L尺寸均可根据用户需要调整，若需特殊材料定货时提出。
User's attention: Dimension of H1, H2, H3 in form can lengthen (long stem butterfly valve) according to customer's requirements, if need long series or special material should be mentioned while ordering.

D373H-40C.P.R.V系列对夹式弹性金属硬密封蝶阀 Wafer type elastic metallic hard sealing butterfly valve

公称直径DN Nominal diameter		结构长度(标准值) Structure length (standard)	外形尺寸(参考值) External dimension(consult)									连接尺寸(标准值) Connection dimension(standard)		
			H	D373H			D673H			D973H			PN4.0MPa	
毫米mm	英寸inch	L		H1	A1	B1	H2	A2	B2	H3	A3	B3	D1	Z-d
50	2	43	112	350	180	200	625	250	170	530	250	255	125	4-18
65	2 1/2	46	115	370	270	280	625	250	170	530	250	255	145	8-18
80	3	49	120	380	270	280	645	250	170	565	250	255	160	8-18
100	4	56	138	420	270	280	675	250	170	600	250	255	190	8-22
125	5	64	164	460	380	420	715	450	220	640	250	255	220	8-26
150	6	70	175	555	380	420	800	450	220	705	300	315	250	8-26
200	8	71	208	605	450	470	850	450	220	775	300	315	320	12-30
250	10	76	243	680	450	470	925	450	280	945	300	315	385	12-33
300	12	83	283	825	450	470	1035	650	280	1070	300	315	450	16-33
350	14	92	310	900	480	490	1070	650	280	1140	300	315	510	16-36
400	16	102	340	980	480	490	1190	650	280	1210	300	315	585	16-39
450	18	114	380	1030	640	660				1335	575	714	610	20-39
500	20	127	410	1105	640	660				1415	575	714	670	20-42

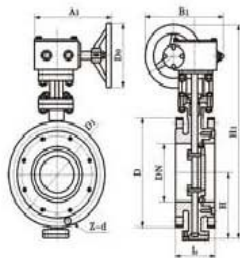
用户注意：表中H1、H2、H3、L尺寸均可根据用户需要调整，若需特殊材料定货时提出。
User's attention: Dimension of H1, H2, H3 in form can lengthen (long stem butterfly valve) according to customer's requirements, if need long series or special material should be mentioned while ordering.

Deseen International

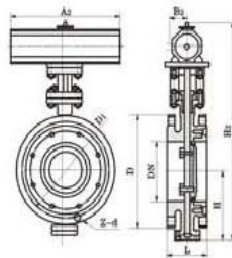
Cast steel valve and Stainless valve



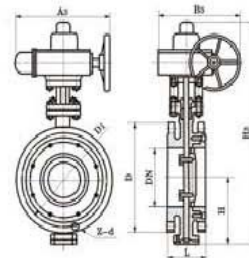
1.3、D₃43H_F-⁶/₁₀C.P.R.V系列法兰式弹性硬密封、聚四氟密封蝶阀 Flange type elastic hard sealing, PTFE sealing butterfly valve



D343H



D643H



D943H

D₃43H-⁶/₁₀C.P.R.V系列法兰式弹性金属硬密封蝶阀 Flange type elastic metallic hard sealing butterfly valve

公称口径DN Nominal diameter		结构长度(标准值) Structure length (standard) L		外形尺寸(参考值) External dimension(consult)											连接尺寸(标准值) Connection dimension(standard)					
				D343H			D643H			D943H					PN0.6MPa			PN1.0MPa		
毫米mm	英寸inch	短Brief	长Long	H	H1	A1	B1	H2	A2	B2	H3	A3	B3	D	D1	Z-d	D	D1	Z-d	
50	2	108	150	112	350	180	200	625	245	72	530	250	255	140	110	4-14	165	125	4-18	
65	2 1/2	112	170	115	370	180	200	625	245	72	530	250	255	160	130	4-14	185	145	4-18	
80	3	114	180	120	380	180	200	645	245	72	565	250	255	190	150	4-18	200	160	8-18	
100	4	127	190	138	420	180	200	675	355	92	600	250	255	210	170	4-18	220	180	8-18	
125	5	140	200	164	460	180	200	715	355	92	640	250	255	240	200	8-18	250	210	8-18	
150	6	140	210	175	555	270	280	800	355	92	705	300	315	265	225	8-18	285	240	8-22	
200	8	152	230	208	605	270	280	850	250	170	775	300	315	320	280	8-18	340	295	8-22	
250	10	165	250	243	680	270	280	925	250	170	945	300	315	375	335	12-18	395	350	12-22	
300	12	178	270	283	800	380	420	1035	450	220	1070	300	315	440	395	12-22	445	400	12-22	
350	14	190	290	310	835	380	420	1070	450	220	1140	300	315	490	445	12-22	505	460	16-22	
400	16	216	310	340	915	450	470	1190	450	220	1210	300	315	540	495	16-22	565	515	16-26	
450	18	222	330	380	960	480	490	1250	650	280	1335	575	714	595	550	16-22	615	565	20-28	
500	20	229	350	410	1020	480	490	1290	650	280	1415	575	714	645	600	20-22	670	620	20-28	
600	24	267	390	470	1225	480	490	1455	850	380	1605	656	810	755	705	20-26	780	725	20-30	
700	28	292	430	550	1355	640	680	1585	850	380	1844	656	810	860	810	24-26	895	840	24-30	
800	32	318	470	640	1470	640	660	1700	1250	380	2040	656	810	975	920	24-30	1015	950	24-33	
900	36	330	510	710	1545	750	860	1865	1250	380	2255	785	863	1075	1020	24-30	1115	1050	28-33	
1000	40	410	550	770	1795	850	900	2015	1500	580	2380	785	863	1175	1120	28-30	1230	1160	28-36	
1200	48	470	630	890	1965	850	900	2226	1500	580	2640	785	863	1405	1340	32-33	1455	1380	32-39	

Deseen International

Cast steel valve and Stainless valve



D43H-16C.P.R.V系列法兰式弹性金属硬密封蝶阀 Flange type elastic metallic hard sealing butterfly valve

公称直径DN Nominal diameter		结构长度(标准值) Structure length (standard)		外形尺寸(参考值) External dimension(consult)											连接尺寸(标准值) Connection dimension(standard)					
				D343H			D643H			D943H					PN1.6MPa			PN2.5MPa		
毫米mm	英寸inch	短Brief	长Long	H	H1	A1	B1	H2	A2	B2	H3	A3	B3	D	D1	Z-d	D	D1	Z-d	
50	2	108	150	112	350	180	200	605	245	72	530	250	255	165	125	4-18	165	125	4-18	
65	2 1/2	112	170	115	370	180	200	625	245	72	530	250	255	185	145	4-18	185	145	8-18	
80	3	114	180	120	380	180	200	645	355	92	565	250	255	200	160	8-18	200	160	8-18	
100	4	127	190	138	420	180	200	675	355	92	600	250	255	220	180	8-18	235	190	8-22	
125	5	140	200	164	460	180	200	715	355	92	640	250	255	250	210	8-18	270	220	8-26	
150	6	140	210	175	555	270	280	800	250	138	705	300	315	285	240	8-22	300	250	8-26	
200	8	152	230	208	605	270	280	850	250	170	775	300	315	340	295	12-22	360	310	12-26	
250	10	165	250	243	680	270	280	925	250	170	945	300	315	405	355	12-26	425	370	12-30	
300	12	178	270	283	800	380	420	1035	450	220	1070	300	315	460	410	12-26	485	430	16-30	
350	14	190	290	310	835	380	420	1070	450	220	1140	300	315	520	470	16-26	555	490	16-33	
400	16	216	310	340	915	450	470	1190	850	220	1210	300	315	580	525	16-30	620	550	16-36	
450	18	222	330	380	960	450	470	1250	850	280	1335	575	714	840	585	20-30	870	800	20-36	
500	20	229	350	410	1020	480	490	1290	850	280	1415	575	714	715	850	20-33	730	680	20-36	
600	24	287	390	470	1225	640	860	1455	850	380	1805	658	714	840	770	20-38	845	770	20-39	
700	28	292	430	550	1355	640	860	1585	1250	380	1844	658	810	910	840	24-38	980	875	24-42	
800	32	318	470	640	1470	640	860	1700	1250	280	2040	656	810	1025	950	24-39	1085	990	24-48	
900	36	330	510	710	1545	650	900	1865	1250	280	2255	785	863	1125	1050	28-39	1185	1090	28-48	
1000	40	410	550	770	1795	650	900	2015	1250	380	2380	785	863	1255	1170	28-42	1320	1210	28-56	
1200	48	470	630	890	1965	650	900	2226	1500	380	2640	785	863	1485	1390	32-48	1530	1420	32-56	

用户注意: 表中H1、H2、H3、L尺寸均可根据用户需要调整, 本产品一般按短系列, 若需长系列或特殊材料定货时提出。
User's attention: Dimension of H1, H2, H3 in form can lengthen (long stem butterfly valve) according to customer's requirements, this product according to short series generally, if need, long series or special material should be mentioned while ordering.

D43H-40C.P.R.V系列法兰式弹性金属硬密封蝶阀 Flange type elastic metallic hard sealing butterfly valve

公称直径DN Nominal diameter		结构长度(标准值) Structure length (standard)		外形尺寸(参考值) External dimension(consult)											连接尺寸(标准值) Connection dimension(standard)		
				D343H			D643H			D943H					PN4.0MPa		
毫米mm	英寸inch	短Brief	长Long	H	H1	A1	B1	H2	A2	B2	H3	A3	B3	D	D1	Z-d	
50	2	108	150	112	350	180	200				530	250	255	165	125	4-18	
65	2 1/2	112	170	115	370	180	200	625	355	92	550	250	255	185	145	8-18	
80	3	114	180	120	380	180	200	625	355	92	565	250	255	200	160	8-18	
100	4	127	190	138	420	180	200	645	355	92	600	250	255	235	190	8-22	
125	5	140	200	164	460	180	200	675	355	92	640	250	255	270	220	8-26	
150	6	140	210	175	555	270	280	715	355	138	705	300	315	300	250	8-26	
200	8	152	230	208	605	270	280	800	355	138	775	300	315	375	320	12-30	
250	10	165	250	243	680	270	280	850	355	138	945	300	315	450	385	12-33	
300	12	178	270	283	800	380	420	925	450	220	1070	300	315	515	450	16-33	
350	14	190	290	310	830	380	420	1035	450	220	1140	300	315	580	510	16-36	
400	16	216	310	340	915	450	470	1070	650	280	1210	300	315	660	585	16-39	
450	18	222	330	380	960	480	490	1190	650	280	1335	575	714	685	610	20-39	
500	20	229	350	410	1020	480	490				1415	575	714	755	670	20-42	

注Annotate: 法兰标准Flange standard: GB/T9113.1-2000 GB/T9113.2-2000 GB/T9115.1-2000 GB/T9115.2-2000
用户注意: 表中H1、H2、H3、L尺寸均可根据用户需要调整, 本产品一般按短系列, 若需长系列或特殊材料定货时提出。
User's attention: Dimension of H1, H2, H3 in form can lengthen (long stem butterfly valve) according to customer's requirements, this product according to short series generally, if need, long series or special material should be mentioned while ordering.

Deseen International

Cast steel valve and Stainless valve



1.4、多层次金属硬密封蝶阀 Multiple layers metallic hard sealing butterfly valve

产品结构 Product structure

多层次硬密封蝶阀系列产品，系我公司新开发的长寿命、节能型蝶阀。其结构采用三维偏心原理设计，阀座采用硬软密封兼容的多层次结构，加工精湛，工艺先进。本产品由阀体、蝶板、多层次阀座、阀杆、传动机构等主要部件组成。

This company has produced new product of multiple layers hard sealing butterfly valve with long service life, energy saving. The configuration adopt three-dimension eccentric principle to be designed, seat is use in hard & soft hermetical multiple configuration, exquisite process ,advanced technology, and this product is composed of body, disc, seat with multiple layers, stem, operative mechanical etc.

特点 Characteristic

由于本产品蝶阀采用的是三维偏心原理设计，使密封面的空间运动轨迹达到理想化，密封副相互之间无摩擦、运动件无干涉，根据不同工况要求密封材料选择得当，从而使蝶阀的密封性、耐腐蚀性、耐高温性和耐磨性等得到了可靠的保证。其主要特点如下：

- 1、开启力矩小，灵活方便，省力节能；
- 2、三维偏心结构，使蝶板越关越紧，其密封性能可靠；
- 3、根据工况要求耐高压、耐腐蚀、耐磨损、使用寿命长等。

Because this butterfly valve adopt three-dimension eccentric principle to design, makes the movement track on facing space reach to idealization, and there are no attrition and no intervene between hermetical components, furthermore, the hermetical material has been selected reasonably, thereby it ensure hermetic, antiseptis, wearable capability of valve. The main characteristic as below:

1. Tiny moment for starting, flexible and convenient, saving labor and energy.
2. Three-dimension eccentric configuration forces disc close tighter and tighter, and reach to reliable hermetic capability and with no leakage.
3. It has characteristic of high temperature resistant, high pressure resistant, antiseptis, wearable, long service life etc.

主要技术参数 Main technology parameter

公称直径 Nominal diameter	DN(mm)	50-1600				50-500
公称压力 Nominal pressure	PN(MPa)	0.6	1.0	1.6	2.5	4.0
试验压力Ps(MPa) Test pressure	强度试验 Shell test	0.9	1.5	2.4	3.75	6.0
	密封试验 Seal test	0.66	1.1	1.76	2.75	4.4
泄漏率 Leakage	< 0.1 × DNmm ³ /s(符合accord with GB/T13927-92标准standard)					
适用温度 Appropriate temperature	碳钢Carbon steel: -29℃ -350℃ 不锈钢 Stainless steel: -40℃ -600℃					
适用介质 Appropriate medium	空气、空气、水、蒸气、煤气、油品以及酸、碱、盐等有弱腐蚀性介质等 Air, water, steam, coal gas, oil and acid, alkali, salt corrosive medium and so on.					
驱动形式 Drive modality	蜗杆蜗轮传动、气传动、电传动 Worm wheel drive, gas drive, electric drive					

主要零件的材质 Material for main parts

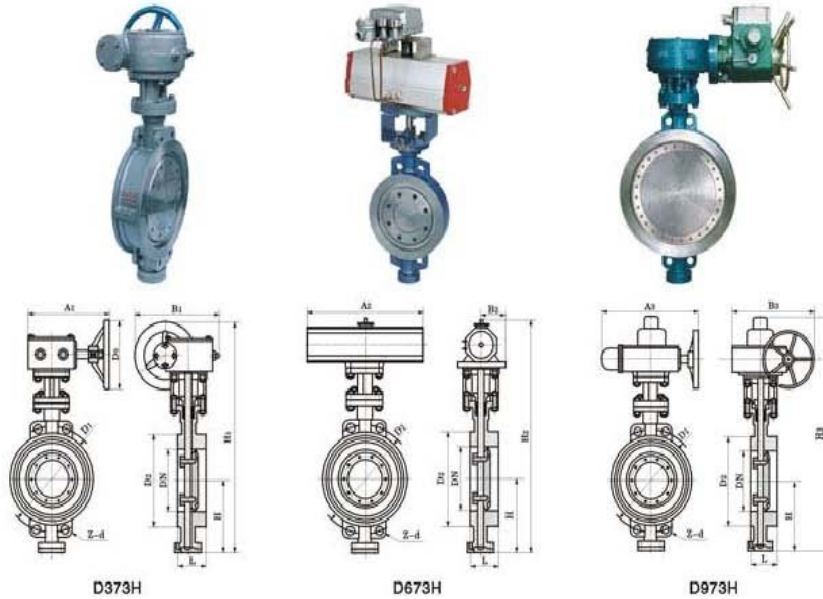
零件名称 Parts name	材料 Material
阀体 Body	铸钢、铸铜、不锈钢、合金钢 Weld the piece, Cast steel, stainless steel, alloy steel
蝶板 Disc	铸钢、铸铜、合金钢、不锈钢 Weld the piece, Cast steel, Alloy steel, stainless steel
体、板、密封圈 Seal ring	不锈钢与耐高温石棉板组合成多层次 Stainless steel and high temperature resistant asbestos composed of multiple layers
阀杆 Stem	2Cr13, 1Cr13不锈钢、铬钼钢 Stainless steel, Cr.Mo.Steel
轴承 Axletree	球墨铸铁、奥氏体不锈钢、304氮化 ZG00Cr18Ni10, 304 nitrification
填料 Packing	柔性石墨 Flexible graphite

Deseen International

Cast steel valve and Stainless valve



1.4.1、 $\frac{3}{9}$ D $\frac{6}{10}$ 73H- $\frac{6}{20}$ C.P.R.V系列对夹式多层次金属硬密封蝶阀 Wafer type multiple layers metallic hard sealing butterfly valve



$\frac{3}{9}$ D $\frac{6}{10}$ 73H- $\frac{6}{20}$ C.P.R.V系列对夹式多层次金属硬密封蝶阀 Wafer type multiple layers metallic hard sealing butterfly valve

公称通径DN Nominal diameter	结构长度(标准值) Structure length (standard)	外形尺寸(参考值) External dimension(consult)											连接尺寸(标准值) Connection dimension(standard)			
		H	D373H			D673H			D973H			PN0.6MPa		PN1.0MPa		
			H ₁	A ₁	B ₁	H ₂	A ₂	B ₂	H ₃	A ₃	B ₃	D ₁	Z-d	D ₁	Z-d	
50	2	43	112	350	180	200	625	245	72	530	250	255	110	4-14	125	4-18
65	2 1/2	46	115	370	180	200	625	245	72	530	250	255	130	4-14	145	4-18
80	3	49	120	380	180	200	645	245	72	565	250	255	150	4-18	160	8-18
100	4	58	138	420	180	200	675	355	92	600	250	255	170	4-18	180	8-18
125	5	64	164	460	180	200	715	355	92	640	250	255	200	8-18	210	8-18
150	6	70	175	555	270	280	800	355	92	705	300	315	225	8-18	240	8-22
200	8	71	215	780	400	425	850	250	170	775	300	315	280	8-18	295	8-22
250	10	76	243	840	400	425	925	250	170	945	300	315	335	12-18	350	12-22
300	12	83	285	995	450	560	1035	450	220	1070	300	315	395	12-22	400	12-22
350	14	92	320	1050	450	560	1070	450	220	1140	300	315	445	12-22	460	16-22
400	16	102	350	1220	535	580	1190	450	220	1210	300	315	495	16-22	515	16-26
450	18	114	350	1280	535	580	1250	650	280	1335	575	714	550	16-22	565	20-26
500	20	127	380	1365	535	580	1290	650	280	1415	575	714	600	20-22	620	20-26
600	24	154	435	1480	570	660	1455	850	380	1605	656	810	705	20-26	725	20-30
700	28	165	480	1520	750	550	1585	850	380	1844	656	810	810	24-26	840	24-30
800	32	190	530	1710	750	550	1700	1250	380	2040	656	810	920	24-30	950	24-33
900	36	203	595	1810	750	550	1965	1250	380	2255	785	863	1020	24-30	1050	28-33
1000	40	216	650	1900	900	750	2015	1250	380	2380	785	863	1120	28-30	1160	28-36
1200	48	254	775	2280	1000	925	2250	1250	380	2640	785	863	1340	32-33	1380	32-39
1400	56	279	870	2450	1000	925				2886			1560	36-36	1590	36-42
1600	64	318	1000	2730	1000	925				3156			1760	40-36	1820	40-48
1800	72	356	1110	3020	1100	980				3421			1970	44-39	2020	44-48
2000	80	406	1250	3270	1100	980				3685			2180	48-42	2230	48-48

Deseen International

Cast steel valve and Stainless valve



D373H-16 C.P.R.V系列对夹式多层次金属硬密封蝶阀 Wafer type multiple layers metallic hard sealing butterfly valve

公称通径DN Nominal diameter		结构长度(标准值) Structure length (standard)		外形尺寸(参考值) External dimension (consult)									连接尺寸(标准值) Connection dimension (standard)			
				H	D373H			D673H			D973H			PN1.6MPa		PN2.5MPa
毫米mm	英寸inch	L	H ₁		A ₁	B ₁	H ₂	A ₂	B ₂	H ₃	A ₃	B ₃	D ₁	Z-d	D ₁	Z-d
50	2	43	112	350	180	200	625	245	72	530	250	255	125	4-18	125	4-18
65	2 1/2	46	115	370	180	200	625	245	72	530	250	255	145	4-18	145	8-18
80	3	49	120	380	180	200	645	245	72	565	250	255	160	8-18	160	8-18
100	4	56	138	420	180	200	675	355	92	600	250	255	180	8-18	190	8-22
125	5	64	164	460	180	200	715	355	92	640	250	255	210	8-18	220	8-26
150	6	70	175	555	270	280	800	355	92	705	300	315	240	8-22	250	8-26
200	8	71	215	780	400	425	850	250	170	775	300	315	295	12-22	310	12-26
250	10	76	243	840	400	425	925	250	170	845	300	315	355	12-26	370	12-30
300	12	83	285	995	450	580	1035	450	220	1070	300	315	410	12-26	430	16-30
350	14	92	320	1050	450	560	1070	450	220	1140	300	315	470	16-26	490	16-33
400	16	102	350	1220	535	580	1190	450	220	1210	300	315	525	16-30	550	16-36
450	18	114	350	1280	535	580	1250	650	280	1335	575	714	585	20-30	600	20-36
500	20	127	380	1365	535	580	1290	650	280	1415	575	714	650	20-33	660	20-36
600	24	154	435	1460	570	660	1455	850	380	1605	656	810	770	20-36	770	20-39
700	28	165	480	1520	750	550	1585	850	380	1844	656	810	840	24-36	875	24-42
800	32	190	530	1710	750	550	1700	1250	380	2040	656	810	950	24-39	990	24-48
900	36	203	595	1810	750	550	1865	1250	380	2255	785	863	1050	28-39	1090	28-48
1000	40	216	650	1900	900	750	2015	1250	380	2380	785	863	1170	28-42	1210	28-56
1200	48	254	775	2280	1000	925	2250	1250	380	2640	785	863	1390	32-48	1420	32-56
1400	56	279	870	2450	1000	925				2886			1590	36-48	1640	36-62
1600	64	318	1000	2730	1000	925				3156			1820	40-56	1860	40-62
1800	72	356	1110	3020	1100	980				3421			2020	44-56	2070	44-70
2000	80	406	1250	3270	1100	980				3685			2230	48-62	2300	48-70

D373H-40C.P.R.V系列对夹式多层次金属硬密封蝶阀 Wafer type multiple layers metallic hard sealing butterfly valve

公称通径DN Nominal diameter		结构长度(标准值) Structure length (standard)		外形尺寸(参考值) External dimension (consult)									连接尺寸(标准值) Connection dimension (standard)	
				H	D373H			D673H			D973H			PN4.0MPa
毫米mm	英寸inch	L	H ₁		A ₁	B ₁	H ₂	A ₂	B ₂	H ₃	A ₃	B ₃	D ₁	Z-d
50	2	43	112	350	180	200				530	250	255	125	4-18
65	2 1/2	46	115	370	270	280	625	250	170	530	250	255	145	8-18
80	3	49	120	380	270	280	625	250	170	565	250	255	160	8-18
100	4	56	138	420	270	280	645	250	170	600	250	255	190	8-22
125	5	64	164	460	380	420	675	250	170	640	250	255	220	8-26
150	6	70	175	555	380	420	715	450	220	705	300	315	250	8-26
200	8	71	215	780	400	425	800	450	220	775	300	315	320	12-30
250	10	76	243	840	400	425	850	450	220	845	300	315	385	12-33
300	12	83	285	995	450	560	925	450	280	1070	300	315	450	16-33
350	14	127	320	1050	450	560	1035	650	280	1140	300	315	510	16-36
400	16	140	350	1220	535	580	1070	650	280	1210	300	315	585	16-39
450	18	152	350	1280	535	580	1190	650	280	1335	575	714	610	20-39
500	20	152	380	1365	535	580				1415	575	714	670	20-42

用户注意：表中H₁、H₂、H₃、L尺寸均可根据用户需要而定，若需特殊材料定货时提出。

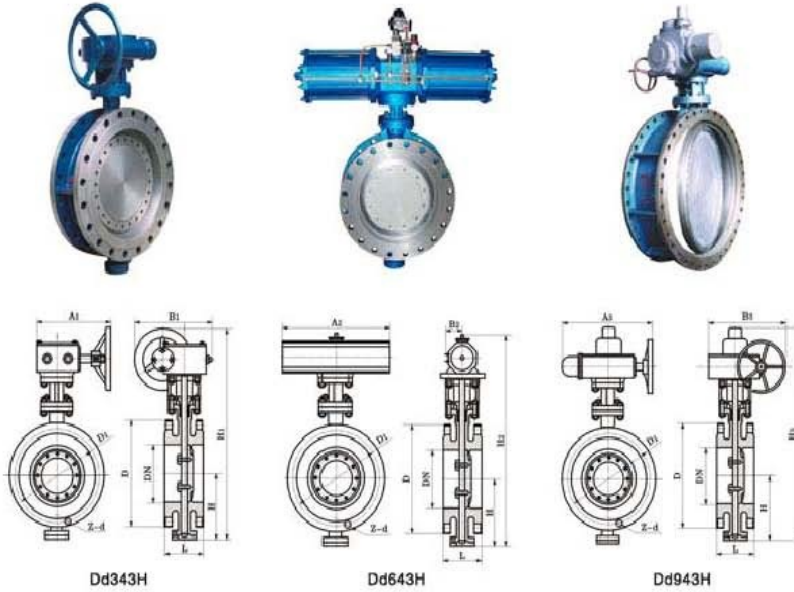
User's attention: Dimension of H₁, H₂, H₃ in form can lengthen (long stem butterfly valve) according to customer's requirements, if need or special material should be mentioned while ordering.

Deseen International

Cast steel valve and Stainless valve



1.4.2、 $D_{643H}^{3/4}$ - $D_{943H}^{5/8}$ C.P.R.V系列法兰式多层次金属硬密封蝶阀 Flange type multiple layers metallic hard sealing butterfly valve



$D_{643H}^{3/4}$ - $D_{943H}^{5/8}$ C.P.R.V系列法兰式多层次金属硬密封蝶阀 Flange type multiple layers metallic hard sealing butterfly valve

公称口径DN Nominal diameter		结构长度(标准值) Structure length (standard)		外形尺寸(参考值) External dimension(consult)									连接尺寸(标准值) Connection dimension(standard)						
		短Brief	长Long	D343H			D643H			D943H			PN0.6MPa		PN1.0MPa				
毫米mm	英寸Inch	H	H	H1	A1	B1	H2	A2	B2	H3	A3	B3	D	D1	Z-d	D	D1	Z-d	
50	2	108	150	112	350	180	200	625	245	72	530	250	255	140	110	4-14	165	125	4-18
65	2 1/2	112	170	115	370	180	200	625	245	72	530	250	255	160	130	4-14	185	145	4-18
80	3	114	180	120	380	180	200	645	245	72	565	250	255	190	150	4-18	200	160	8-18
100	4	127	190	138	420	180	200	675	355	92	600	250	255	210	170	4-18	220	180	8-18
125	5	140	200	164	460	180	200	715	355	92	640	250	255	240	200	8-18	250	210	8-18
150	6	140	210	175	555	270	280	800	355	92	705	300	315	265	225	8-18	285	240	8-22
200	8	152	230	200	760	400	425	850	250	170	775	300	315	320	280	8-18	340	295	8-22
250	10	165	250	243	830	400	425	925	250	170	945	300	315	375	335	12-18	395	350	12-22
300	12	178	270	250	895	450	560	1035	450	220	1070	300	315	440	395	12-22	445	400	12-22
350	14	190	290	280	950	450	560	1070	450	220	1140	300	315	490	445	12-22	505	460	16-22
400	16	216	310	305	1190	535	580	1190	450	220	1210	300	315	540	495	16-22	565	515	16-26
450	18	222	330	350	1255	535	580	1250	650	280	1335	575	714	595	550	16-22	615	565	20-26
500	20	229	350	380	1305	535	580	1290	650	280	1415	575	714	645	600	20-22	670	620	20-26
600	24	267	390	445	1340	570	660	1455	850	380	1605	656	810	755	705	20-26	780	725	20-30
700	28	292	430	480	1520	750	550	1585	850	380	1844	658	810	860	810	24-26	895	840	24-30
800	32	318	470	530	1710	750	550	1700	1250	380	2040	656	810	975	920	24-30	1015	950	24-33
900	36	330	510	580	1810	750	550	1965	1250	380	2255	785	863	1075	1020	24-30	1115	1050	28-33
1000	40	410	550	650	1960	900	750	2015	1250	380	2380	785	863	1175	1120	28-30	1230	1160	28-36
1200	48	470	630	760	2250	1000	925	2250	1250	380	2640	785	863	1405	1340	32-33	1455	1380	32-39
1400	56	530	710	850	2435	1000	925				2886			1630	1560	36-36	1675	1590	36-42
1600	64	600	790	1030	2780	1000	925				3156			1830	1760	40-36	1915	1820	40-48
1800	72	670	870	1230	3020	1100	980				3421			2045	1970	44-39	2115	2020	44-48
2000	80	760	950	1350	3270	1100	980				3685			2265	2180	48-42	2325	2230	48-48

Deseen International

Cast steel valve and Stainless valve



D43H-1/2 C.P.R.V系列法兰式多层次金属硬密封蝶阀 Flange type multiple layers metallic hard sealing butterfly valve

公称口径DN Nominal diameter		结构长度(标准值) Structure length(standard)		外形尺寸(参考值) External dimension(consult)									连接尺寸(标准值) Connection dimension(standard)						
毫米mm	英寸inch	L		H	D343H			D643H			D943H			PN1.6MPa			PN2.5MPa		
		短Brief	长Long		H1	A1	B1	H2	A2	B2	H3	A3	B3	D	D1	Z-d	D	D1	Z-d
50	2	108	150	112	350	180	200	625	245	72	530	250	255	165	125	4-18	165	125	4-18
65	2 1/2	112	170	115	370	180	200	625	245	72	530	250	255	185	145	4-18	185	145	8-18
80	3	114	180	120	380	180	200	645	245	72	565	250	255	200	160	8-18	200	160	8-18
100	4	127	190	138	420	180	200	675	355	92	600	250	255	220	180	8-18	235	190	8-22
125	5	140	200	164	460	180	200	715	355	92	640	250	255	250	210	8-18	270	220	8-26
150	6	140	210	175	555	270	280	800	355	92	705	300	315	285	240	8-22	300	250	8-26
200	8	152	230	200	760	400	425	850	250	170	775	300	315	340	295	12-22	360	310	12-26
250	10	165	250	243	830	400	425	925	250	170	945	300	315	405	355	12-26	425	370	12-30
300	12	178	270	250	895	450	560	1035	450	220	1070	300	315	460	410	12-26	485	430	16-30
350	14	190	290	280	950	450	560	1070	450	220	1140	300	315	520	470	16-26	555	490	16-33
400	16	216	310	305	1190	535	580	1190	450	220	1210	300	315	580	525	16-30	620	560	16-36
450	18	222	330	350	1255	535	580	1250	650	280	1335	575	714	640	585	20-30	670	600	20-36
500	20	229	350	380	1305	535	580	1290	650	280	1415	575	714	715	650	20-33	730	660	20-36
600	24	267	390	445	1340	570	660	1455	850	380	1605	656	810	840	770	20-36	845	770	20-39
700	28	292	430	480	1520	750	650	1585	850	380	1844	656	810	910	840	24-36	960	875	24-42
800	32	318	470	530	1710	750	650	1700	1250	380	2040	656	810	1025	950	24-39	1085	990	24-48
900	36	330	510	580	1810	750	650	1865	1250	380	2255	785	863	1125	1050	28-39	1185	1090	28-48
1000	40	410	550	650	1960	900	750	2015	1250	380	2380	785	863	1255	1170	28-42	1320	1210	28-56
1200	48	470	630	760	2250	1000	925	2250	1250	380	2640	785	863	1485	1390	32-48	1530	1420	32-56
1400	56	530	710	850	2435	1000	925				2886			1685	1590	36-48	1755	1640	36-62
1600	64	600	790	1030	2780	1000	925				3156			1930	1820	40-56	1975	1860	40-62
1800	72	670	870	1230	3020	1100	980				3421			2130	2020	44-56	2195	2070	44-70
2000	80	760	950	1350	3270	1100	980				3685			2345	2230	48-62	2425	2300	48-70

D43H-40C.P.R.V系列法兰式多层次金属硬密封蝶阀 Flange type multiple layers metallic hard sealing butterfly valve

公称口径DN Nominal diameter		结构长度(标准值) Structure length(standard)		外形尺寸(参考值) External dimension(consult)									连接尺寸(标准值) Connection dimension(standard)			
毫米mm	英寸inch	L		H	D373H			D673H			D973H			PN4.0MPa		
		短Brief	长Long		H1	A1	B1	H2	A2	B2	H3	A3	B3	D	D1	Z-d
50	2	108	150	112	350	180	200	625	250	170	530	250	255	165	125	4-18
65	2 1/2	112	170	115	370	270	280	625	250	170	530	250	255	185	145	8-18
80	3	114	180	120	380	270	280	645	250	170	565	250	255	200	160	8-18
100	4	127	190	138	420	270	280	675	250	170	600	250	255	235	190	8-22
125	5	140	200	164	460	380	420	715	450	220	640	250	255	270	220	8-26
150	6	140	210	175	555	380	420	800	450	220	705	300	315	300	250	8-26
200	8	152	230	200	760	400	425	850	450	220	775	300	315	375	320	12-30
250	10	165	250	243	830	400	425	925	450	280	945	300	315	450	385	12-33
300	12	178	270	250	895	450	560	1035	650	280	1070	300	315	515	450	16-33
350	14	190	290	280	950	450	560	1070	650	280	1140	300	315	580	510	16-36
400	16	216	310	305	1190	535	580	1190	650	280	1210	300	315	660	585	16-39
450	18	222	330	350	1255	535	580				1335	575	714	685	610	20-39
500	20	229	350	380	1305	535	580				1415	575	714	755	670	20-42

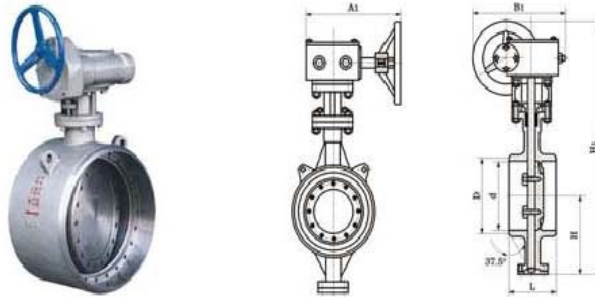
用户注意: 表中H1、H2、H3、L尺寸均可根据用户需要调整, 本产品一般按短系列, 若需长系列或特殊材料定货时提出。
 User's attention: Dimension of H1, H2, H3 in form can lengthen (long stem butterfly valve) according to customer's requirements, this product according to short series generally, if need, long series or special material should be mentioned while ordering.

Deseen International

Cast steel valve and Stainless valve



1.5、对焊式金属硬密封蝶阀 Butt Weld type metallic hard sealing butterfly valve



D363H

用途及特点 Purpose and characteristic

本蝶阀适用于高温、高压、防火、保温等管道上作启闭或调节介质之用。其主要特点如下：

- 1、结构紧凑、体积小、重量轻、操作灵活、使用方便；
- 2、采用三维偏心弹性或多层次硬密封结构，其密封性能可靠；
- 3、此阀无法兰，对管道和保温包扎及防腐等带来很大方便和美观；
- 4、具有耐高温、高压、耐腐蚀、耐磨损等特点。

This kind of butterfly valve is suitable for pipe of high temperature, high pressure, fire-proof, jacket etc as start and stop or adjust medium, the main characteristic as below:

- 1.Compact configuration, tiny bulk, light and operate skillfully and Conveniently.
- 2.It adopt three-dimensional eccentric elasticity or multiple-layers hard sealing configuration, the hermetical capability can reach to zero leakage.
- 3.This kind of valve with no flange, which makes pipe elegantly and Binding up conveniently.
- 4.It has characteristic of high temperature resistant, high pressure resistant, antiseptis, wearable etc.

采用标准 Adoption standard

焊接尺寸 Jointing dimension:
GB12224; ANSI B16.25; DIN2559

结构长度 Structure length:
GB/T12221-1989; API609

压力试验 Pressure test:
GB/T13927-1992; API598

传动型式 Drive type

蜗轮传动、气动传动、电动传动。
Worm wheel drive, pneumatic drive, electric drive.

主要技术参数 Main technology parameter

公称通径 Nominal diameter	DN(mm)	50 - 1400				
公称压力 Nominal pressure	PN(MPa)	0.6	1.0	1.8	2.5	4.0
试验压力Ps(MPa) Test pressure	强度试验 Shell test	0.9	1.5	2.4	3.75	6.0
	密封试验 Seal test	0.66	1.1	1.76	2.75	4.4
	气密封试验 Air Seal test	0.6	0.6	0.6	0.6	0.6
适用介质 Appropriate medium	水、蒸气、油品、酸类腐蚀性等。Water, steam, oil, acid corrosive and so on.					
适用温度 Appropriate temperaturer	碳钢 Carbon steel: -29℃ ~ 350℃ 不锈钢 Stainless steel: -40℃ ~ 600℃					

主要零件的材质 Material for main parts

零件名称 Parts name	材料 Material
阀体 Body	铸钢、不锈钢、铸铝钢及特殊材料 Cast steel, stainless steel, Cr.Mo.Steel and ad hoc material
碟板 Disc	铸钢、合金钢(镀硬铬)、不锈钢及特殊材料 Cast steel, Alloy steel, stainless steel, Steel and ad hoc material
密封圈 Seal ring	不锈钢、抗磨材料 Stainless steel, resist grind material
阀杆 Stem	2Cr13、1Cr13不锈钢、铸铝钢 Stainless steel, Cr.Mo.Steel
填料 Packing	柔性石墨 Flexible graphite

Deseen International

Cast steel valve and Stainless valve



D363^HW-(C.I.P.R)对焊式硬密封蝶阀系列外形尺寸 Both weld type hard sealing butterfly valve external dimension

公称压力Nominal pressure		PN0.6MPa								公称压力Nominal pressure		PN1.0MPa							
通径Diameter		外形尺寸(参考值)External dimension(consult)								通径Diameter		外形尺寸(参考值)External dimension(consult)							
毫米mm	英寸inch	L	D	d	H	H1	A	B	L	D	d	H	H1	A	B				
600	24	390	636	602	499	1280	570	660	390	636	602	499	1280	570	660				
700	28	430	726	692	566	1480	750	550	430	726	692	566	1480	750	550				
800	32	470	826	792	632	1608	750	550	470	826	792	632	1608	750	550				
900	36	510	926	892	693	1857	750	550	510	926	892	693	1857	750	550				
1000	40	550	1028	992	757	2038	900	750	550	1028	992	757	2038	900	750				
1200	48	630	1228	1192	851	2237	1000	925	630	1228	1192	851	2237	1000	925				
1400	56	710	1428	1392	876	2411	1000	925	710	1428	1392	876	2411	1000	925				
1600	64	790	1628	1592	1095	2756	1000	925	790	1628	1592	1095	2756	1000	925				
1800	72	870	1828	1792	1214	3093	1100	980	870	1828	1792	1214	3093	1100	980				
2000	80	950	2028	1992	1332	3355	1100	980	950	2028	1992	1332	3355	1100	980				

公称压力Nominal pressure		PN1.6MPa								公称压力Nominal pressure		PN1.6MPa							
通径Diameter		外形尺寸(参考值)External dimension(consult)								通径Diameter		外形尺寸(参考值)External dimension(consult)							
毫米mm	英寸inch	L	D	d	H	H1	A	B	L	D	d	H	H1	A	B				
80	3	180	90	78	90	356	180	200	390	636	602	509	1369	570	660				
100	4	190	110	96	100	375	180	200	430	726	692	572	1492	750	550				
125	5	200	135	121	113	401	180	200	470	826	792	638	1622	750	550				
150	6	210	161	146	130	450	270	280	510	926	892	700	1924	750	550				
200	8	230	222	202	205	545	400	425	550	1028	992	765	2054	900	750				
250	10	250	278	254	235	630	400	425	630	1228	1192	860	2259	1000	925				
300	12	270	330	303	275	715	450	560	710	1428	1392	966	2610	1000	925				
350	14	290	382	351	309	817	450	560	790	1628	1592	1106	2856	1000	925				
400	16	310	432	398	346	923	535	580	870	1828	1792	1216	3121	1100	980				
450	18	330	484	450	392	1059	535	580	950	2028	1992	1345	3385	1100	980				
500	20	360	535	501	427	1126	535	580											

公称压力Nominal pressure		PN2.5MPa								公称压力Nominal pressure		PN4.0MPa							
通径Diameter		外形尺寸(参考值)External dimension(consult)								通径Diameter		外形尺寸(参考值)External dimension(consult)							
毫米mm	英寸inch	L	D	d	H	H1	A	B	L	D	d	H	H1	A	B				
80	3	180	90	78	90	356	180	200	180	90	78	108	430	180	200				
100	4	190	110	96	106	387	180	200	190	110	96	108	392	180	200				
125	5	200	135	121	122	413	180	200	200	135	120	120	414	180	200				
150	6	210	161	146	136	459	270	280	210	161	145	135	494	270	280				
200	8	230	222	202	215	585	400	425	230	222	200	202	578	400	425				
250	10	250	278	254	247	649	400	425	250	278	252	235	673	400	425				
300	12	270	330	303	288	771	450	560	270	330	301	280	793	450	560				
350	14	290	382	351	333	929	450	560	290	382	351	315	921	450	560				
400	16	310	432	398	359	993	535	580	310	432	398	355	1021	535	580				
450	18	330	484	450	405	1053	535	580	330	484	448	370	1143	535	580				
500	20	350	535	501	444	1245	535	580	350	535	495	420	1192	535	580				
600	24	390	636	602	521	1750	570	660	390	636	595	490	1327	570	660				
700	28	430	726	692	566	1519	750	550											
800	32	470	826	792	659	1859	750	550											
900	36	510	926	892	720	1829	750	550											
1000	40	550	1028	992	780	1949	900	750											
1200	48	630	1228	1192	889	2243	1000	925											
1400	56	710	1428	1392	1000	2462	1000	925											

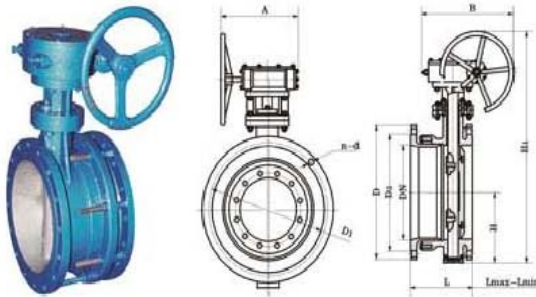
Deseen International

Cast steel valve and Stainless valve



3、SD43^H_{F-10}⁶_{X 16}系列手动法兰式伸缩蝶阀

Worm wheel drive flange type flexible butterfly valve



SD43H

用途及特点 Purpose and characteristic

伸缩蝶阀除具有其他软密封蝶阀的特点外，还能作补偿管道温差所产生的热胀冷缩功能，并为安装更换、维修阀门提供方便。

Stretch and shrink butterfly valves is besides have other and soft seal completely the characteristics of butterfly valves, and still can do the cold flexible function of hot bulge for expiation of piping difference in temperature, and replace, maintain the valve or offer convenience for repairing.

SD43^H_{F-10}⁶_{X 16}系列系列连接尺寸 Series connection dimensions

公称口径 DN Nominal diameter		外形尺寸(参考值) External dimension(consult)					连接尺寸 Conjunction Size													
		H	H ₁	设计最大长度 L _{max} Most design extent	设计最小长度 L _{min} Least design extent	设计长度 L Design extent	A	B	0.6MPa				1.0MPa				1.6MPa			
毫米 mm	英寸 inch								D	D ₁	D ₂	n-d	D	D ₁	D ₂	n-d	D	D ₁	D ₂	n-d
50	2	80	309	164	138	151	180	200	140	110	88	4-14	165	125	99	4-18	165	125	99	4-18
65	2½	95	337	190	154	172	180	200	160	130	108	4-14	185	145	118	4-18	185	145	118	4-18
80	3	98	347	195	163	177	180	200	190	150	124	4-18	200	160	132	8-18	200	160	132	8-18
100	4	114	373	227	184	206	180	200	210	170	144	4-18	220	180	156	8-18	220	180	156	8-18
125	5	128	405	254	201	215	180	200	240	200	174	8-18	250	210	184	8-18	250	210	184	8-18
150	6	139	440	240	195	225	270	280	265	225	199	8-18	285	240	211	8-22	285	240	211	8-22
200	8	174	612	295	215	245	400	425	320	280	254	8-18	340	295	266	8-22	340	295	266	12-22
250	10	215	693	295	235	265	400	425	375	335	309	12-18	395	350	319	12-22	405	355	319	12-26
300	12	245	747	308	254	282	450	560	440	395	363	12-22	445	400	370	12-22	460	410	370	12-26
350	14	270	802	325	271	300	450	560	490	445	413	12-22	505	460	429	16-22	520	470	429	16-26
400	16	305	991	345	283	314	535	580	540	495	463	16-22	565	515	480	16-26	580	525	480	16-30
450	18	325	1037	370	314	340	535	580	595	550	518	16-22	615	565	530	20-26	640	585	548	20-30
500	20	360	1127	377	316	348	535	580	645	600	568	20-22	670	620	582	20-26	715	650	609	20-33
600	24	445	1377	446	388	417	570	660	755	705	667	20-26	780	725	682	20-30	840	770	720	20-36
700	28	505	1496	445	395	425	750	860	810	772	724	24-26	895	840	794	24-30	910	840	794	24-36
800	32	560	1584	479	425	455	750	860	920	878	824	24-30	1015	950	901	24-33	1025	950	901	24-39
900	36	630	1676	515	455	485	750	860	1075	1020	978	24-30	1115	1050	1001	28-33	1125	1050	1001	28-39
1000	40	680	1760	525	465	495	900	950	1175	1120	1078	28-30	1230	1160	1112	28-36	1255	1170	1112	28-42
1200	48	795	2018	574	512	542	1000	1025	1405	1340	1295	32-33	1455	1380	1328	32-39	1485	1390	1328	32-48

Deseen International

Cast steel valve and Stainless valve



4、软密封蝶阀 Self sealing butterfly valve

用途及特点 Purpose and characteristic

软密封蝶阀适用于温度 $\leq 120^{\circ}\text{C}$ ，公称压力 $\leq 1.6\text{MPa}$ 的食品、医药、化工、石油、电力、冶金、城建、轻纺、造纸等给排水、气体管道上作调节流量和截流介质的作用。其主要特点为：

- 1、设计新颖、合理，结构独特，重量轻，启闭迅速。
- 2、操作力矩小，操作方便，省力灵巧。
- 3、可以任何位置安装、维修方便。
- 4、密封件可以更换，密封性能可靠达到双向密封零泄漏。
- 5、密封材料耐老化、耐腐蚀，使用寿命长等特点。

Soft sealing butterfly valve is suitable for water supplying and draining, gas pipe as adjust flux and cut off medium in foodstuff, pharmacy, chemical industry, petroleum, electric power, light textile, paper making etc with temperature $\leq 120^{\circ}\text{C}$, nominal pressure $\leq 1.6\text{MPa}$. The main characteristic such as:

1. Novel and reasonable design, special structure, light and start and stop rapidly.
2. Tiny operative moment, operation conveniently and skillfully.
3. Installation in any position, easy to maintain
4. It can exchange sealed component, antiseptis, reliable hermetical capacity and seal in double direction with zero leakage.
5. Hermetical material aging resistant, antiseptis, and long service life etc.

采用标准 Adoption standard

设计标准 Design standard: GB/T12238-1989, 同时符合ISO 10631-94或BS EN593-98
 法兰连接尺寸 Flange connection dimension: GB/T17241.6-99, ISO 7005-2或BSPREN1092-2
 结构长度 Structure length: GB/T12221-1989, 也符合ISO 5752-88或BS EN558-1
 压力试验 Pressure test: GB/T13927-1992; JB/T9092-1999, 也可按ISO 5028-93或BS 6755-1-86

主要技术参数 Main technology parameter

公称直径 Nominal diameter	DN(mm)	50-2000		
公称压力 Nominal pressure	PN(MPa)	0.6	1.0	1.6
试验压力 Ps(MPa) Test pressure	强度试验 Shell test	0.9	1.5	2.4
	密封试验 Seal test	0.66	1.1	1.76
	气密封试验 Air Seal test	0.6	0.6	0.6
适用介质 Appropriate medium	空气、水、污水、蒸气、煤气、油品等。Air, water, sewage, steam, coal gas, oil.			
驱动形式 Drive modality	手动、蜗杆蜗轮传动、气传动、电传动。hand, worm wheel drive, pneumatic drive, electric drive.			

主要零件的材质 Material for main parts

零件名称 Parts name	材料 Material
阀体 Body	球墨铸铁、铸钢、合金钢、不锈钢 Ductile cast iron, cast steel, Alloy steel, stainless steel
蝶板 Disc	灰铸铁、球墨铸钢、铸钢、不锈钢及特殊材料 Gray cast iron, ductile cast steel, cast steel, stainless steel and ad hoc material
密封圈 Seal ring	各种橡胶、聚四氟乙烯 Manifold rubber
阀杆 Stem	2Cr13、不锈钢 Stainless steel
填料 Packing	O型圈、柔性石墨 O type ring, flexible graphite

蝶阀密封材料选用和适用温度 Butterfly valve seal material choice and appropriate temperature

材料品种 Material variety	氟丁橡胶 Neoprene	丁腈橡胶 Styrene rubber	乙丙橡胶 Ethane propyl rubber	聚四氟乙烯 PTFE	硅橡胶 Silicon rubber	氟橡胶 Fluorine rubber
代号 Code name	X或or J	XA或or JA	XB或or JB	XC、JC或or F	XD或or JD	XE或or JE
耐最高温度 Resistance highest temperature	82 $^{\circ}\text{C}$	93 $^{\circ}\text{C}$	150 $^{\circ}\text{C}$	232 $^{\circ}\text{C}$	250 $^{\circ}\text{C}$	204 $^{\circ}\text{C}$
耐最低温度 Resistance lowest temperature	-40 $^{\circ}\text{C}$	-40 $^{\circ}\text{C}$	-40 $^{\circ}\text{C}$	-268 $^{\circ}\text{C}$	-70 $^{\circ}\text{C}$	-23 $^{\circ}\text{C}$
适用工作温度 Appropriate working temperature	$\leq 65^{\circ}\text{C}$	$\leq 80^{\circ}\text{C}$	$\leq 120^{\circ}\text{C}$	$\leq 200^{\circ}\text{C}$	$\leq 200^{\circ}\text{C}$	$\leq 180^{\circ}\text{C}$

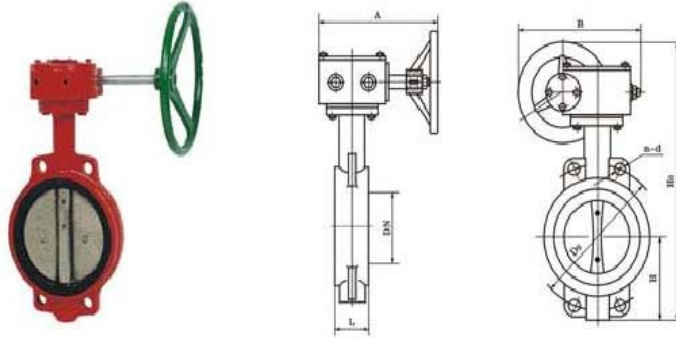
Deseen International

Cast steel valve and Stainless valve



4.1、D71^X_J-⁶/₁₆Q.C.P.R系列手柄、蜗杆蜗轮传动对夹式软密封蝶阀

Handle, worm wheel drive wafer type self sealing butterfly valve



D71^X_J-⁶/₁₆Q.C.P.R系列连接尺寸 Series connection dimensions

公称通径DN Nominal diameter		结构长度(标准值) Structure length (standard)	外形尺寸(参考值) External dimension(consult)				连接尺寸(标准值) Connection dimension(standard)					
							0.6MPa		1.0MPa		1.6MPa	
毫米mm	英寸inch	L	H	H ₀	A	B	D ₀	n-d	D ₀	n-d	D ₀	n-d
50	2	43	63	235	270	65	110	4-14	125	4-18	125	4-18
65	2 1/2	46	70	250	270	65	130	4-14	145	4-18	145	4-18
80	3	46	83	275	270	65	150	4-18	160	8-18	160	8-18
100	4	52	105	316	270	65	170	4-18	180	8-18	180	8-18
125	5	56	115	340	310	65	200	8-18	210	8-18	210	8-18
150	6	56	137	376	310	65	225	8-18	240	8-22	240	8-22

D371^X_J-⁶/₁₆Q.C.P.R系列连接尺寸 Series connection dimensions

公称通径DN Nominal diameter		结构长度(标准值) Structure length (standard)	外形尺寸(参考值) External dimension(consult)				连接尺寸(标准值) Connection dimension(standard)					
							0.6MPa		1.0MPa		1.6MPa	
毫米mm	英寸inch	L	H	H ₀	A	B	D ₀	n-d	D ₀	n-d	D ₀	n-d
50	2	43	63	306	180	200	110	4-14	125	4-18	125	4-18
65	2 1/2	46	70	321	180	200	130	4-14	145	4-18	145	4-18
80	3	46	83	346	180	200	150	4-18	160	8-18	160	8-18
100	4	52	105	367	180	200	170	4-18	180	8-18	180	8-18
125	5	56	115	411	180	200	200	8-18	210	8-18	210	8-18
150	6	56	137	447	270	280	225	8-18	240	8-22	240	8-22
200	8	60	164	572	270	280	280	8-18	295	8-22	295	12-22
250	10	68	206	646	270	280	335	12-18	350	12-22	355	12-26
300	12	78	230	738	380	420	395	12-22	400	12-22	410	12-26
350	14	78	248	761	380	420	445	12-22	460	16-22	470	16-26
400	16	102	289	877	450	470	495	16-22	515	16-26	525	16-30
450	18	114	320	938	480	490	550	16-22	565	20-26	585	20-30
500	20	127	343	993	480	490	600	20-22	620	20-26	650	20-33
600	24	154	413	1131	48	490	705	20-26	725	20-30	770	20-36
700	28	165	478	1476	640	660	810	24-26	840	24-30	840	24-36
800	32	190	525	1533	640	660	920	24-30	950	24-33	950	24-39
900	36	203	585	1655	750	860	1020	24-30	1050	28-33	1050	28-39
1000	40	216	640	1765	850	900	1120	28-30	1160	28-36	1170	28-42
1200	48	254	755	1995	850	900	1340	32-33	1380	32-39	1390	32-48
1400	56	279	910	2310	1000	925	1560	36-36	1590	36-42	1590	36-48
1600	64	318	1030	2595	1000	925	1760	40-36	1820	40-48	1820	40-56
1800	72	356	1140	2810	1100	980	1970	44-39	2020	44-48	2020	44-56
2000	80	406	1250	3100	1100	980	2180	48-42	2230	48-48	2230	48-62

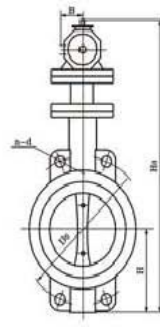
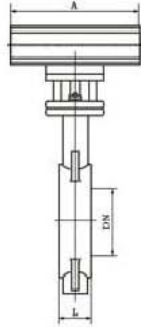
注：若用户需用阀板衬橡胶等特殊要求，订货时请注明。
 Notice: If the customer has any special requirements such as disc with rubber lining etc. please specify while ordering.

Deseen International

Cast steel valve and Stainless valve



4.2、D671^X_J-⁶/₁₀ Z.Q.C.P.R系列气动对夹式软密封蝶阀 Pneumatic drive wafer type self seal butterfly valve



D671X

D671^X_J-⁶/₁₀ Z.Q.C.P.R系列连接尺寸 Series connection dimensions

公称通径DN Nominal diameter		结构长度 (标准值) Structure length (standard)	外形尺寸(参考值) External dimension(consult)				连接尺寸(标准值) Connection dimension(standard)					
							0.6MPa		1.0MPa		1.6MPa	
毫米mm	英寸inch	L	H	H0	A	B	D0	n-d	D0	n-d	D0	n-d
50	2	43	63	315	180	65	110	4-14	125	4-18	125	4-18
65	2 1/2	46	70	330	180	65	130	4-14	145	4-18	145	4-18
80	3	46	83	390	245	72	150	4-18	160	8-18	160	8-18
100	4	52	105	431	240	72	170	4-18	180	8-18	180	8-18
125	5	56	115	455	240	72	200	8-18	210	8-18	210	8-18
150	6	56	137	626	350	93	225	8-18	240	8-22	240	8-22
200	8	60	164	720	350	93	280	8-18	295	8-22	295	12-22
250	10	68	206	800	550	350	335	12-18	350	12-22	355	12-26
300	12	78	230	860	600	350	395	12-22	400	12-22	410	12-26
350	14	78	248	883	600	350	445	12-22	460	16-22	470	16-26
400	16	102	289	972	600	350	495	16-22	515	16-26	525	16-30
450	18	114	320	1043	750	380	550	16-22	565	20-26	585	20-30
500	20	127	343	1098	750	380	600	20-22	620	20-26	650	20-33
600	24	154	413	1236	750	380	705	20-26	725	20-30	770	20-36
700	28	165	478	1431	750	380	810	24-26	840	24-30	840	24-36
800	32	190	525	1488	750	380	920	24-30	950	24-33	950	24-39
900	36	203	620	1615	1250	380	1020	24-30	1050	28-33	1050	28-39
1000	40	216	725	1765	1500	580	1120	28-30	1160	28-36	1170	28-42
1200	48	254	780	1976	1500	580	1340	32-33	1390	32-39	1390	32-48

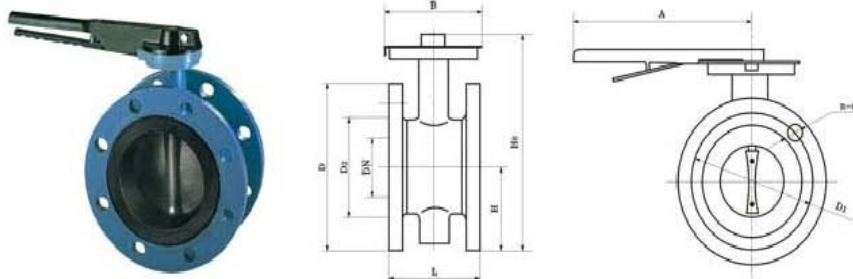
注：若用户需用阀板衬橡胶等特殊要求，订货时请注明。
Notice: If the customer has any special requirements such as disc with rubber lining etc. please specify while ordering.

Deseen International

Cast steel valve and Stainless valve



4.3、D41^X_J⁶₁₆Q.C.P.R系列手柄、蜗杆蜗轮传动法兰式软密封蝶阀 Handle, worm wheel drive flange type soft sealing butterfly valve



D43X-16C

D4^X_J⁶₁₆Z.Q.C.P.R 系列连接尺寸 Series connection dimensions

公称直径DN Nominal diameter	结构长度 (标准值) Structure length (standard)	外形尺寸(参考值) External dimension(consult)				连接尺寸(标准值) Connection dimension(standard)												参考重量 (Kg) Consult weight	
						0.6MPa						1.0MPa				1.6MPa			
						L	H	H ₀	A	B	D	D ₁	D ₂	n-d	D	D ₁	D ₂		n-d
50	2	108	82.5	238	270	65	140	110	88	4-14	165	125	99	4-18	165	125	99	4-18	8.5
65	2 1/2	112	92.5	258	270	65	160	130	108	4-14	185	145	118	4-18	185	145	118	4-18	9.5
80	3	114	100	278	270	65	190	150	124	4-18	200	160	132	8-18	200	160	132	8-18	11
100	4	127	110	293	270	65	210	170	144	4-18	220	180	156	8-18	220	180	156	8-18	15
125	5	140	125	309	310	65	240	200	174	8-18	250	210	184	8-18	250	210	184	8-18	21
150	6	140	142.5	336	310	65	265	225	199	8-18	285	240	211	8-22	285	240	211	8-22	24

D34^X_J⁶₁₆Z.Q.C.P.R 系列连接尺寸 Series connection dimensions

公称直径DN Nominal diameter	结构长度(标准值) Structure length (standard)	外形尺寸(参考值) External dimension(consult)				连接尺寸(标准值) Connection dimension(standard)												参考重量 (Kg) Consult weight	
						0.6MPa						1.0MPa				1.6MPa			
						L	H	H ₀	A	B	D	D ₁	D ₂	n-d	D	D ₁	D ₂		n-d
50	2	108	63	306	180	200	140	110	88	4-14	165	125	99	4-18	165	125	99	4-18	13
65	2 1/2	112	70	321	180	200	160	130	108	4-14	185	145	118	4-18	185	145	118	4-18	14
80	3	114	83	346	180	200	190	150	124	4-18	200	160	132	8-18	200	160	132	8-18	15.5
100	4	127	105	387	180	200	210	170	144	4-18	220	180	156	8-18	220	180	156	8-18	19.5
125	5	140	115	411	180	200	240	200	174	8-18	250	210	184	8-18	250	210	184	8-18	25.5
150	6	140	137	447	270	280	265	225	199	8-18	285	240	211	8-22	285	240	211	8-22	28.5
200	8	152	164	572	270	280	320	280	254	8-18	340	295	266	8-22	340	295	266	12-22	48
250	10	165	206	646	270	280	375	335	309	12-18	395	350	319	12-22	405	355	319	12-26	69
300	12	178	230	738	380	420	440	395	363	12-22	445	400	370	12-22	460	410	370	12-26	91
350	14	190	248	761	380	420	490	445	413	12-22	505	460	429	16-22	520	470	429	16-26	110
400	16	216	289	877	450	470	540	495	463	16-22	565	515	480	16-26	580	525	480	16-30	140
450	18	222	320	938	480	490	595	550	518	16-22	615	565	530	20-26	640	585	548	20-30	180
500	20	229	343	993	480	490	645	600	568	20-22	670	620	582	20-26	715	650	609	20-33	215
600	24	267	413	1131	480	490	755	705	667	20-26	780	725	682	20-30	840	770	720	20-36	290
700	28	292	478	1476	640	660	860	810	772	24-26	895	840	794	24-30	910	840	794	24-36	360
800	32	318	525	1533	640	660	975	920	878	24-30	1015	950	901	24-33	1025	950	901	24-39	410
900	36	330	585	1655	750	860	1075	1020	978	24-30	1115	1050	1001	28-33	1125	1050	1001	28-39	500
1000	40	410	640	1765	850	900	1175	1120	1078	28-30	1230	1160	1112	28-36	1255	1170	1112	28-42	600
1200	48	470	755	1995	850	900	1405	1340	1295	32-33	1455	1380	1328	32-39	1485	1390	1328	32-48	800
1400	56	530	910	2310	1000	925	1630	1560	1510	36-36	1675	1590	1530	36-42	1685	1590	1530	36-48	1000
1600	64	600	1030	2595	1000	925	1830	1760	1710	40-36	1915	1820	1750	40-48	1930	1820	1750	40-56	1200
1800	72	670	1140	2810	1100	980	2045	1970	1918	44-39	2115	2020	1950	44-48	2130	2020	1950	44-56	1400
2000	80	760	1250	3100	1100	980	2265	2180	2125	48-42	2325	2230	2150	48-48	2345	2230	2150	48-62	1600

注：若用户需用衬板衬橡胶等特殊要求，订货时请注明。
Notice: If the customer has any special requirements such as disc with rubber lining etc. please specify while ordering.

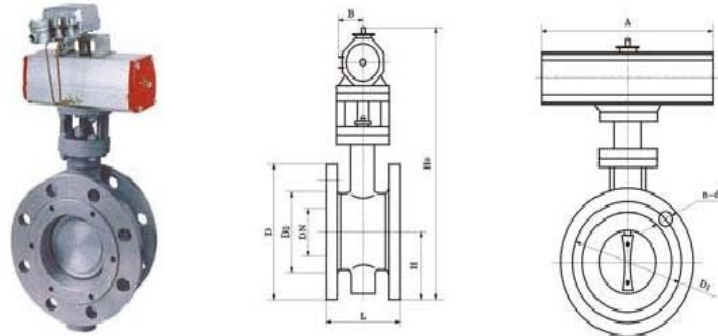
Deseen International

Cast steel valve and Stainless valve



4.4、D641^X_J-10⁶₁₆ Q.C.P.R系列气动传动法兰式软密封蝶阀

Pneumatic drive flange type soft sealing butterfly valve



D643X

D643^X_J-10⁶₁₆ Z.Q.C.P.R系列连接尺寸 Series connection dimensions

公称直径 DN Nominal diameter		结构长度 (标准值) Structure length (standard)	外形尺寸(参考值) External dimension(consult)				连接尺寸(标准值) Connection dimension(standard)											
							0.6MPa				1.0MPa				1.6MPa			
毫米 mm	英寸 inch	L	H	H ₀	A	B	D	D ₁	D ₂	n-d	D	D ₁	D ₂	n-d	D	D ₁	D ₂	n-d
50	2	108	82.5	338	180	65	140	110	88	4-14	165	125	99	4-18	165	125	99	4-18
65	2½	112	92.5	358	180	65	160	130	108	4-14	185	145	118	4-18	185	145	118	4-18
80	3	114	100	413	245	72	190	150	124	4-18	200	160	132	8-18	200	160	132	8-18
100	4	127	110	428	240	72	210	170	144	4-18	220	180	156	8-18	220	180	156	8-18
125	5	140	125	444	240	72	240	200	174	8-18	250	210	184	8-18	250	210	184	8-18
150	6	140	142.5	553	350	93	265	225	199	8-18	285	240	211	8-22	285	240	211	8-22
200	8	152	170	678	350	93	320	280	254	8-18	340	295	266	8-22	340	295	266	12-22
250	10	165	197.5	742	550	350	375	335	309	12-18	395	350	319	12-22	405	355	319	12-28
300	12	178	222.5	803	600	350	440	395	363	12-22	445	400	370	12-22	460	410	370	12-26
350	14	190	252.5	866	600	350	490	445	413	12-22	505	460	429	16-22	520	470	429	16-26
400	16	216	282.5	940	600	350	540	495	463	16-22	565	515	480	16-26	580	525	480	16-30
450	18	222	307.5	995	750	380	595	550	518	16-22	615	565	530	20-26	640	585	548	20-30
500	20	229	335	1058	750	380	645	600	568	20-22	670	620	582	20-26	715	650	609	20-33
600	24	267	390	1163	750	380	755	705	667	20-26	780	725	682	20-30	840	770	720	20-36
700	28	430	447.5	1283	750	380	860	810	772	24-26	895	840	794	24-30	910	840	794	24-36
800	32	470	507.5	1398	750	380	975	920	878	24-30	1015	950	901	24-33	1025	950	901	24-39
900	36	510	557.5	1498	1250	380	1075	1020	978	24-30	1115	1050	1001	28-33	1125	1050	1001	28-39
1000	40	550	615	1608	1500	580	1175	1120	1078	28-30	1230	1160	1112	28-36	1255	1170	1112	28-42
1200	48	630	727.5	1876	1500	580	1405	1340	1295	32-33	1455	1380	1328	32-39	1485	1390	1328	32-48

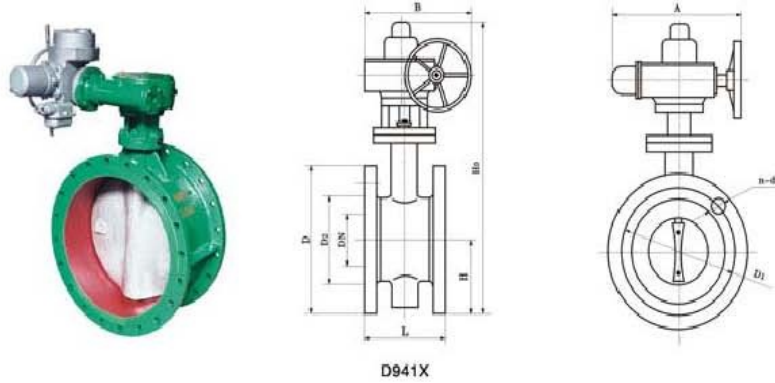
注：若用户需用钢板衬橡胶等特殊要求，订货时请注明。
 Notice: If the customer has any special requirements such as disc with rubber lining etc. please specify while ordering.

Deseen International

Cast steel valve and Stainless valve



4.5、D941^X_{J-10}⁶/₁₆ Q.C.P.R系列电动法兰式软密封蝶阀 Electric drive flange type soft sealing butterfly valve



D941^X_{J-10}⁶/₁₆ Z.Q.C.P.R系列连接尺寸 Series connection dimensions

公称直径DN Nominal diameter	结构长度 (标准值) Structure length (standard)	外形尺寸(参考值) External dimension(consult)					连接尺寸(标准值) Connection dimension(standard)											
		L	H	H ₀	A	B	0.6MPa				1.0MPa				1.6MPa			
毫米mm 英寸inch						D	D ₁	D ₂	n-d	D	D ₁	D ₂	n-d	D	D ₁	D ₂	n-d	
50	2	108	82.5	443	125	125	140	110	88	4-14	165	125	99	4-18	165	125	99	4-18
65	2 1/2	112	92.5	463	125	125	160	130	108	4-14	185	145	118	4-18	185	145	118	4-18
80	3	114	100	483	125	125	190	150	124	4-18	200	160	132	8-18	200	160	132	8-18
100	4	127	110	498	125	125	210	170	144	4-18	220	180	156	8-18	220	180	156	8-18
125	5	140	125	682	325	245	240	200	174	8-18	250	210	184	8-18	250	210	184	8-18
150	6	140	142.5	736	325	245	285	225	199	8-18	285	240	211	8-22	285	240	211	8-22
200	8	152	170	800	325	245	320	280	254	8-18	340	295	266	8-22	340	295	266	12-22
250	10	165	197.5	895	363	313	375	335	309	12-18	395	350	318	12-22	405	355	319	12-26
300	12	178	222.5	956	363	313	440	395	363	12-22	445	400	370	12-22	460	410	370	12-26
350	14	190	252.5	1029	363	313	490	445	413	12-22	505	460	429	16-22	520	470	429	16-26
400	16	216	282.5	1103	363	313	540	495	463	16-22	565	515	480	16-26	580	525	480	16-30
450	18	222	307.5	1186	465	439	595	550	518	16-22	615	565	530	20-26	640	585	548	20-30
500	20	229	335	1280	546	431	645	600	568	20-22	670	620	582	20-26	715	650	609	20-33
600	24	267	390	1321	546	556	755	705	667	20-26	780	725	682	20-30	840	770	720	20-36
700	28	292	447.5	1431	546	556	860	810	772	24-26	885	840	794	24-30	910	840	794	24-36
800	32	318	507.5	1542	546	556	975	920	878	24-30	1015	950	901	24-33	1025	950	901	24-39
900	36	330	557.5	1600	617	706	1075	1020	978	24-30	1115	1050	1001	28-33	1125	1050	1001	28-39
1000	40	410	615	2363	632	706	1175	1120	1078	28-30	1230	1160	1112	28-36	1255	1170	1112	28-42
1200	48	470	727.5	2583	632	706	1405	1340	1295	32-33	1455	1380	1328	32-39	1485	1390	1328	32-48
1400	56	530	837.5	2710	790	1338	1630	1560	1510	36-36	1675	1590	1530	36-42	1685	1590	1530	36-48
1600	64	600	957.5	2845	868	1476	1830	1760	1710	40-36	1915	1820	1750	40-48	1930	1820	1750	40-56
1800	72	670	1057.5	3060	868	1476	2045	1970	1918	44-39	2115	2020	1950	44-48	2130	2020	1950	44-56
2000	80	760	1162.5	3350	965	1600	2265	2180	2125	48-42	2325	2230	2150	48-48	2345	2230	2150	48-62

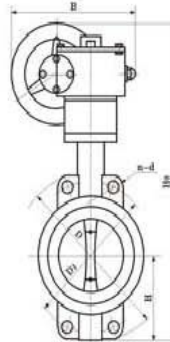
注：若用户需用衬板衬橡胶等特殊要求，订货时请注明。
Notice: If the customer has any special requirements such as disc with rubber lining etc, please specify while ordering.

Deseen International

Cast steel valve and Stainless valve



5、XDH373X-16c.z系列蜗轮传动对夹式偏心消防信号蝶阀 Worm gear operated wafer eccentric fire-control signal butterfly valve



用途及特点 Purpose and characteristic

信号蝶阀其设计采用偏心蝶阀，轴端设置凸轮机构与开关信号接触，能有效提供阀门开启与关闭的信号，并能输出连接声光设施、提供声与光的信号，一般用于为消防设施配套所用。

Signal butterfly valve use eccentric disc, camshaft contact with button signal, provide signal of on and off effectively, and it can output connective sound and light device, supply signal of sound and light, generally, it is fitted for fire-control device.

采用标准 Adoption standard

设计标准 Design standard: GB/T 12238-1989
GB/T 17241.6-98,
也符合(Also match)ISO 7005-2
结构长度 Structure length: GB/T 12221-1989
也符合(Also match)ISO 5752-88
压力试验 Pressure test: GB/T 13927-1992
也可按(Can also press)ISO 5208-93

主要技术参数 Main technology parameter

公称直径 Nominal diameter	DN(mm)	50-200		
公称压力 Nominal pressure	PN(MPa)	0.6	1.0	1.6
试验压力Ps(MPa) Test pressure	强度试验 Shell test	0.9	1.5	2.4
	密封试验 Seal test	0.66	1.1	1.76
适用介质 Appropriate medium	水、海水、油品等 Water,seawater,oil			
适用温度 Appropriate temperature	≤125℃			

主要零件的材质 Material for main parts

零件名称 Parts name	材料 Material
阀体 Body	铸铁、铸钢 Cast iron,cast steel
蝶板 Disc	铸钢(表面处理)、铸铁(表面处理) Cast iron(obverse dispose),cast steel(obverse dispose)
密封圈 Seal ring	丁腈橡胶、氟橡胶 Styrene rubber,fluorine rubber
阀杆 Stem	2Cr13
填料 Packing	氟塑料、柔性石墨 Fluorine plastic,flexible graphite

DXH373X-16c连接尺寸 Connection dimensions

公称直径DN Nominal diameter		结构长度(标准值) Structure length (standard)	外形尺寸(参考值) External dimension(consult)					连接尺寸(标准值) Connection dimension(standard)			
毫米mm	英寸inch		L	H	Ho	A	B	Do	1.6MPa		
								D	D1	n-d	
50	2	43	102	362	200	200	160	165	125	4-18	
65	2½	46	112	382	200	200	160	185	145	4-18	
80	3	49	120	400	200	200	160	200	160	8-18	
100	4	56	137	434	200	200	160	220	180	8-18	
125	5	64	162	480	200	200	160	250	210	8-18	
150	6	70	174	550	280	280	240	285	240	8-22	
200	8	71	207	615	280	280	240	340	295	12-22	
250	10	76	242	694	280	280	240	405	355	12-26	
300	12	83	284	829	420	520	350	460	410	12-26	

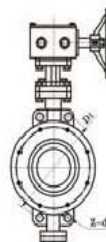
Deseen International

Cast steel valve and Stainless valve

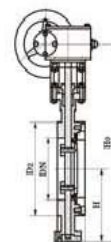


6、美标阀门 ANSI Valve

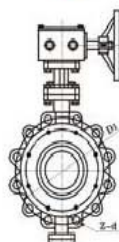
(对夹、双法兰式金属硬密封-对夹、单法兰式氟塑料密封)蝶阀815/830W.
(Wafer, double flanged metallic hard seal-Wafer, single flanged fluorine plastic seal) Butterfly valve 815/830W.



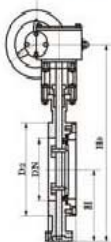
815W 830W



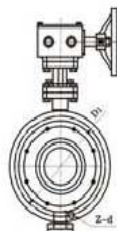
对夹式 Wafer type



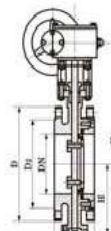
815L 830L



凸耳式
Protruding ears type



815W 830W



法兰式 Flange type

型号说明 Type explain



结构形式：对夹式和法兰式
Structure type: Wafer type and flange type
公称压力：150Lb、300Lb
Nominal pressure: 150Lb、300Lb
设计类型：8系列
Design type: 8series

用途及特点 Purpose and characteristic

815、830系列蝶阀的主要结构特征为对夹式和法兰式三偏心结构，而815、830L系列蝶阀的主要结构特征为阀体周边带凸耳且设计成带螺孔单法兰结构。815、830系列蝶阀广泛应用于石油、化工及工业环保水处理、高层建筑、给排水等管道上。其特点为：由于采用的是三偏心结构，密封性能可靠，确保开启时蝶板不接触密封座，消除了密封座不均匀负载，延长了使用寿命，确保可靠的密封性能，具有耐高温、耐磨损、耐腐蚀等优点。

Main configuration characteristic of 815,830 series of butterfly valve is composed of wafer and flange three eccentricity, then main configuration characteristic of 815, 830L series butterfly valve is edge of body with protruding ears and single flange configuration with screw. 815, 830 series of butterfly valve has been widely utilized in petroleum, chemical industry and industrial environmental protection water treatment, high building, water supplying and draining. The main characteristic is: due to use three eccentric configuration, hermetic capability reliable, which ensure disc never touch sealing seat when it start, solve the problem of hermetical seat burden unequally, prolong service life, and ensure reliable hermetic capability with advantage of high temperature resistant, wearable, antiseptic etc.



结构形式：带凸耳单法兰对夹式
Structure type: Single flange wafer with protruding ears
公称压力：150Lb、300Lb
Nominal pressure: 150Lb、300Lb
设计类型：8系列
Design type: 8series

采用标准 Adoption standard

设计标准 Design standard: API609-83
法兰连接尺寸 Flange connection dimension: ANSI B16.5
结构长度 Structure length: ANSI B16.10-1992
压力试验 Pressure test: API598-82

主要技术参数 Main technology parameter

公称直径 Nominal diameter	DN(mm)	830W	830L
		2" - 36"	2" - 36"
公称压力 Nominal pressure	PN(MPa)	150Lb	300Lb
试验压力Ps(MPa) Test pressure	强度试验 Shell test	3.0	7.5
	密封试验 Seal test	2.2	5.5
适用介质 Appropriate medium	水、蒸汽、油品、海水等 Water, steam, oil, seawater.		
适用温度 Appropriate temperature	-29 ~ 350℃		

主要零件的材质 Material for main parts

零件名称 Parts name	材料 Material
阀体 Body	WCB, 304, 316, 316SS, CF8M
阀板 Disc	WCB, 304, 316, 316SS, CF8M
阀杆 Stem	316, 2Cr13, 1Cr18Ni9Ti
密封圈 Seal ring	316、氟塑料 Fluorine plastic
填料 Packing	柔性石墨、氟塑料 Flexible graphite, fluorine plastic

Deseen International

Cast steel valve and Stainless valve



美标815W系列 API 815W Series

公称直径DN Nominal diameter		结构长度(标准值) Structure length(standard)				外形尺寸(参考值) External dimension(consult)				连接尺寸(标准值) Connection dimension(standard)							
		L		L1		H		Ho		D		D1		D2		M	Z-d
英寸 inch	毫米 mm	英寸 inch	毫米 mm	英寸 inch	毫米 mm	英寸 inch	毫米 mm	英寸 inch	毫米 mm	英寸 inch	毫米 mm	英寸 inch	毫米 mm	英寸 inch	毫米 mm		
2"	50	1.89	43	4.25	108	4.33	110	13.58	345	6.00	152	4.75	120.5	3.62	92	M18	4-19
3"	80	1.94	49	4.50	114	4.92	125	14.96	380	8.50	190	6.00	152.5	5.00	127	M18	4-19
4"	100	2.19	56	5.00	127	5.70	145	16.34	415	9.00	229	7.50	190.5	6.19	157	M18	8-19
5"	125	2.50	64	5.50	140	6.50	165	17.91	455	10.00	254	8.50	216	7.32	186	M20	8-22
6"	150	2.75	70	5.50	140	6.89	175	21.45	545	11.00	279	9.50	241.5	8.50	216	M20	8-22
8"	200	2.81	71	2.90	150	8.26	210	24.21	645	13.50	343	11.75	298.5	10.62	270	M20	8-22
10"	250	3.00	76	6.30	160	9.84	250	27.36	695	16.00	406	14.25	362	12.75	324	M24	12-25
12"	300	3.38	86	7.00	178	11.24	285	32.78	830	19.00	483	17.00	432	15.00	381	M24	12-25
14"	350	3.63	92	7.50	190	12.60	320	35.43	900	21.00	533	18.75	476	16.25	413	M27	12-29
16"	400	4.00	102	8.50	216	13.98	355	38.58	980	23.50	597	21.25	540	18.50	470	M27	16-29
18"	450	4.50	114	8.74	222	14.96	380	40.55	1030	25.00	635	22.75	578	21.00	533	M30	16-32
20"	500	5.00	127	9.00	229	16.34	415	43.70	1110	27.50	699	25.00	635	23.00	584	M30	20-32
24"	600	6.06	154	10.50	267	18.70	475	51.37	1305	32.00	813	29.50	749.5	27.25	692	M33	20-35
30"	750	6.50	165	11.50	292	22.38	580	60.03	1525	38.75	985	36.00	914	33.75	857	M33	28-35
32"	800	7.50	190	12.50	316	24.80	630	62.40	1585	41.75	1060	38.50	978	36.00	914	M39	28-41
36"	900	8.00	203	13.00	330	26.77	680	69.48	1765	46.00	1168	42.75	1085	40.25	1022	M39	32-41

美标815L系列 API 815L Series

公称直径DN Nominal diameter		结构长度(标准值) Structure length(standard)				外形尺寸(参考值) External dimension(consult)				连接尺寸(标准值) Connection dimension(standard)				M	Z-d
		L		H		Ho		D1		D2					
英寸 inch	毫米 mm	英寸 inch	毫米 mm	英寸 inch	毫米 mm	英寸 inch	毫米 mm	英寸 inch	毫米 mm	英寸 inch	毫米 mm	英寸 inch	毫米 mm		
6"	150	2.75	70	6.89	175	21.45	545	9.50	241.5	8.50	216	M20	8-22		
8"	200	2.81	71	8.26	210	24.21	615	11.75	298.5	10.62	270	M20	8-22		
10"	250	3.00	76	9.84	250	27.36	695	14.25	362	12.75	324	M24	12-25		
12"	300	3.38	86	11.24	285	32.78	830	17.00	432	15.00	381	M24	12-25		
14"	350	3.63	92	12.60	320	35.43	900	18.75	476	16.25	413	M27	12-29		
16"	400	4.00	102	13.98	355	38.58	980	21.25	540	18.50	470	M27	16-29		
18"	450	4.50	114	14.96	380	40.55	1030	22.75	578	21.00	533	M30	16-32		
20"	500	5.00	127	16.34	415	43.70	1110	25.00	635	23.00	584	M30	20-32		
24"	600	6.06	154	18.70	475	51.37	1305	29.50	749.5	27.25	692	M33	20-35		
30"	750	6.50	165	22.38	580	60.03	1525	36.00	914	33.75	857	M33	28-35		
36"	900	8.00	203	26.77	680	69.48	1765	42.75	1085	40.25	1022	M39	32-41		

注：以上对夹式、对夹凸耳式、法兰式三种，传动方式有手动、蜗轮、气动和电动。用户订货时说明。
Attention: Above three sorts such as wafer, wafer protruding ears, flange, driving mode such as manual, worm wheel, pneumatic, and electric, user should specify when ordered.

Deseen International

Cast steel valve and Stainless valve



美标830W系列 API 830W Series

公称直径DN Nominal diameter		结构长度(标准值) Structure length(standard)				外形尺寸(参考值) External dimension(consult)				连接尺寸(标准值) Connection dimension(standard)							
		L		L1		H		H0		D		D1		D2		M	Z-d
英寸 inch	毫米 mm	英寸 inch	毫米 mm	英寸 inch	毫米 mm	英寸 inch	毫米 mm	英寸 inch	毫米 mm	英寸 inch	毫米 mm	英寸 inch	毫米 mm	英寸 inch	毫米 mm		
2"	50	1.69	43	4.25	108	4.33	110	13.58	345	6.50	165	5.00	127	3.62	92	M18	8-19
3"	80	1.94	49	4.50	114	4.92	125	14.96	380	8.26	210	6.63	168	5.00	127	M20	8-22
4"	100	2.19	56	5.00	127	5.70	145	16.34	415	10.00	254	7.87	200	6.19	157	M20	8-22
5"	125	2.50	64	5.50	140	6.50	165	17.91	455	11.00	279	9.25	235	7.32	186	M20	8-22
6"	150	2.75	70	5.50	140	6.89	175	21.45	545	12.50	318	10.63	270	8.50	216	M20	12-22
8"	200	2.81	71	2.90	150	8.26	210	24.21	645	15.00	381	13.00	330	10.62	270	M24	12-26
10"	250	3.00	76	6.30	160	9.84	250	27.36	695	17.50	445	15.24	387	12.75	324	M27	16-29
12"	300	3.38	86	7.00	178	11.24	285	32.78	830	20.50	521	17.76	451	15.00	381	M30	16-32
14"	350	3.63	92	7.50	190	12.60	320	35.43	900	23.00	584	20.24	514	16.25	413	M30	20-32
16"	400	4.00	102	8.50	216	13.98	355	38.58	990	25.50	648	22.50	571	18.50	470	M33	20-35
18"	450	4.50	114	8.74	222	14.98	380	40.55	1030	28.00	711	24.72	628	21.00	533	M33	24-35
20"	500	5.00	127	9.00	229	16.34	415	43.70	1110	30.50	775	27.00	686	23.00	584	M33	24-35
24"	600	6.06	154	10.50	267	18.70	475	51.37	1305	36.00	914	32.00	813	27.25	692	M39	24-41
30"	750	6.50	165	11.50	292	22.38	580	60.03	1525	43.00	1092	39.25	997	33.75	857	M45	28-49
36"	900	8.00	203	13.00	330	26.77	680	69.48	1765	50.00	1270	46.00	1168	40.25	1022	M50	32-53

美标830L系列 API 830L Series

公称直径DN Nominal diameter		结构长度(标准值) Structure length(standard)		外形尺寸(参考值) External dimension(consult)				连接尺寸(标准值) Connection dimension(standard)				M	Z-d
		L		H		H0		D1		D2			
英寸 inch	毫米 mm	英寸 inch	毫米 mm	英寸 inch	毫米 mm	英寸 inch	毫米 mm	英寸 inch	毫米 mm	英寸 inch	毫米 mm		
8"	150	3.00	76	6.89	175	21.45	545	10.63	270	8.50	216	M20	12-22
8"	200	3.50	89	8.26	210	24.21	615	13.00	330	10.62	270	M24	12-26
10"	250	4.50	114	9.84	250	27.36	695	15.24	387	12.75	324	M27	16-29
12"	300	4.50	114	11.24	285	32.78	830	17.76	451	15.00	381	M30	16-32
14"	350	5.00	127	12.60	320	35.43	900	20.24	514	16.25	413	M30	20-32
16"	400	5.50	140	13.98	355	38.58	990	22.30	591	18.50	470	M33	24-35
18"	450	5.98	152	14.98	380	40.55	1030	24.72	628	21.00	533	M33	24-35
20"	500	5.98	152	16.34	415	43.70	1110	27.00	686	23.00	584	M33	24-35
24"	600	7.00	178	18.70	475	51.37	1305	32.00	813	27.25	692	M39	24-41
30"	750	9.01	229	22.38	580	60.03	1525	39.25	997	33.75	857	M45	28-49
36"	900	9.88	241	26.77	680	69.48	1765	46.00	1168	40.25	1022	M50	32-52

注：以上对夹式、对夹凸耳式、法兰式三种，传动方式有手动、蜗轮、气动和电动。用户订货时说明。
Attention: Above three sorts such as wafer, wafer protruding ears, flange, driving mode such as manual, worm wheel, pneumatic, and electric, user should specify when ordered.

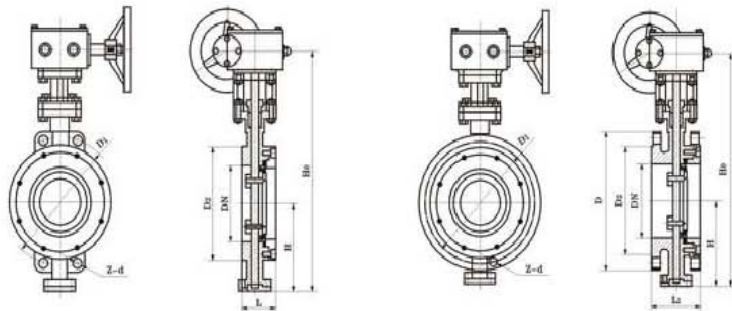
Deseen International

Cast steel valve and Stainless valve



7、日标阀门 JIS Valve

D373H-10K系列日标对夹式、法兰式三偏心硬密封蝶阀 JIS wafer type, flanged type three eccentric hard sealing butterfly valve



用途及特点 Purpose and characteristic

D373H-10K、20K、和D343H-10K、20K系列蝶阀的主要结构特征为对夹式和法兰式三偏心密封形式，阀座密封圈采用弹性密封和软硬兼容的多层密封两种结构，其密封性能可靠，确保开启时蝶板不接触密封座，消除了密封座不均匀负载，延长了使用寿命，确保可靠的密封性能，具有耐高温、耐磨损、耐腐蚀等优点。广泛应用于石油、化工及工业环保水处理、高层建筑、给排水等管道上。

Main configuration characteristic of D373H-10K, 20K and D343H-10K, 20K series of butterfly valve is composed of wafer and flange three eccentric seal, seat gasket use two configurations of elastic seal and soft hard compatible multiple layers seal, reliable hermetic capability, so as to ensure disc can't touch sealing seat when it operates, solve the problem of sealing seat burden unequally, prolong service life, with advantages of high temperature resistant, wearable, antiseptis etc. It has been widely utilized in petroleum, chemical industry and industrial environmental protection, water treatment, high building construction, water supplying and draining pipe etc.

采用标准 Adoption standard

设计标准 Design standard: API609-83
 法兰连接尺寸 Flange connection dimension: JIS B2212 JIS B2213 JIS B2214
 结构长度 Structure length: JIS B2002-1987
 压力试验 Pressure test: JIS B2003-1987

驱动型式 Drive modality

手柄、蜗轮、气动、电动等。
 Handle, worm wheel, pneumatic drive, electric drive.

主要技术参数 Main technology parameter

公称直径 Nominal diameter	DN(mm)	830W	830L
		2" - 36"	2" - 36"
公称压力 Nominal pressure	PN(MPa)	10K	20K
试验压力Ps(MPa) Test pressure	强度试验 Shell test	1.5	3.0
	密封试验 Seal test	1.1	2.2
适用介质 Appropriate medium	水、蒸汽、油品、海水等 Water, steam, oil, seawater.		
适用温度 Appropriate temperature	-29 - 350℃		

主要零件的材质 Material for main parts

零件名称 Parts name	材料 Material
阀体 Body	WCB, 304, 316, 316SS, CF8M
阀板 Disc	WCB, 304, 316, 316SS, CF8M
阀杆 Stem	316, 2Cr13, 1Cr18Ni9Ti
密封圈 Seal ring	316, 氟塑料 Fluorine plastic
填料 Packing	柔性石墨、氟塑料 Flexible graphite, fluorine plastic

Deseen International

Cast steel valve and Stainless valve



日标D373H-10K、20K系列 JIS D373H-10K、20K Series

公称直径DN Nominal diameter	结构长度(标准值) Structure length (standard)	外形尺寸(参考值) External dimension(consult)											连接尺寸(标准值) Connection dimension(standard)			
		L	H	D373H			D673H			D973H			10K		20K	
				H1	A1	B1	H2	A2	B2	H3	A3	B3	D1	Z-d	D1	Z-d
50	2	43	112	350	180	200	625	245	72	530	250	255	120	4-19	120	8-19
65	2 1/2	46	115	370	180	200	625	245	72	530	250	255	140	4-19	140	8-19
80	3	49	120	380	180	200	645	245	72	565	250	255	150	8-19	160	8-23
100	4	56	138	420	180	200	675	355	92	600	250	255	175	8-19	185	8-23
125	5	64	164	460	180	200	715	355	92	640	250	255	210	8-23	225	8-25
150	6	70	175	555	270	280	800	355	92	705	300	315	240	8-23	260	12-25
200	8	70	208	605	270	280	850	250	170	775	300	315	290	12-23	305	12-25
250	10	76	243	680	270	280	925	250	170	945	300	315	355	12-25	380	12-27
300	12	83	283	800	380	420	1035	450	220	1070	300	315	400	16-25	430	16-27
350	14	92	310	835	380	420	1070	450	220	1140	300	315	445	16-25	480	16-33
400	16	102	340	915	450	470	1190	450	220	1210	300	315	510	16-27	540	16-33
450	18	114	380	960	480	490	1250	650	280	1335	575	714	565	20-27	605	20-33
500	20	127	410	1020	480	490	1290	650	280	1415	575	714	620	20-27	660	20-33
600	24	154	470	1225	480	490	1455	850	380	1605	656	810	730	24-33	770	24-39
700	28	165	550	1355	640	660	1585	850	380	1844	656	810	840	24-33	900	24-48
800	32	190	640	1470	640	660	1700	1250	380	2040	656	810	950	28-33	1030	24-56
900	36	203	710	1545	750	860	1965	1250	380	2255	785	863	1050	28-33	1140	28-56
1000	40	216	770	1795	850	900	2015	1250	380	2380	785	863	1160	28-39		
1200	48	254	890	1965	850	900	2250	1250	380	2640	785	863	1380	32-39		

日标D343H-10K、20K系列 JIS D343H-10K、20K Series

公称直径DN Nominal diameter	结构长度(标准值) Structure length (standard)	外形尺寸(参考值) External dimension(consult)											连接尺寸(标准值) Connection dimension(standard)						
		L	H	D343H			D643H			D943H			10K		20K				
				H1	A1	B1	H2	A2	B2	H3	A3	B3	D	D1	Z-d	D	D1	Z-d	
50	2	108	150	112	350	180	200	605	245	72	530	250	255	155	120	4-19			
65	2 1/2	112	170	115	370	180	200	625	245	72	530	250	255	175	140	4-19	155	120	8-19
80	3	114	180	120	380	180	200	645	245	72	565	250	255	185	150	8-19	175	140	8-19
100	4	127	190	138	420	180	200	675	355	92	600	250	255	210	175	8-19	200	160	8-23
125	5	140	200	164	460	180	200	715	355	92	640	250	255	250	210	8-23	225	185	8-23
150	6	140	210	175	555	270	280	800	355	92	705	300	315	280	240	8-23	270	225	8-25
200	8	152	230	208	605	270	280	850	250	170	775	300	315	330	290	12-23	305	260	12-25
250	10	165	250	243	680	270	280	925	250	170	945	300	315	400	355	12-25	350	305	12-25
300	12	178	270	283	800	380	420	1035	450	220	1070	300	315	445	400	16-25	430	380	12-27
350	14	190	290	310	835	380	420	1070	450	220	1140	300	315	490	445	16-25	480	430	16-27
400	16	216	310	340	915	450	470	1190	450	220	1210	300	315	560	510	16-27	540	480	16-33
450	18	222	330	380	960	480	490	1250	650	280	1335	575	714	620	565	20-27	605	540	16-33
500	20	229	350	410	1020	480	490	1290	650	280	1415	575	714	675	620	20-27	675	605	20-33
600	24	267	390	470	1225	480	490	1455	850	380	1605	656	810	795	730	24-33	730	660	20-33
700	28	292	430	550	1355	640	660	1585	850	380	1844	656	810	905	840	24-33	845	770	24-39
800	32	318	470	640	1470	640	660	1700	1250	380	2040	656	810	1020	950	28-33	995	900	24-48
900	36	330	510	710	1545	850	900	1865	1250	380	2255	785	863	1120	1050	28-33	1140	1030	24-56
1000	40	410	550	770	1795	850	900	2015	1500	580	2380	785	863	1235	1160	28-39	1250	1140	28-56
1200	48	470	630	890	1965	850	900	2226	1500	580	2640	785	863	1465	1380	32-39			

注：以上对夹式、法兰式二种的传动方式有手动、蜗轮、气动和电动。用户订货时说明。
Attention: Above two sorts such as wafer, flange, driving mode such as manual, worm wheel, pneumatic, and electric, user should specify when ordered.

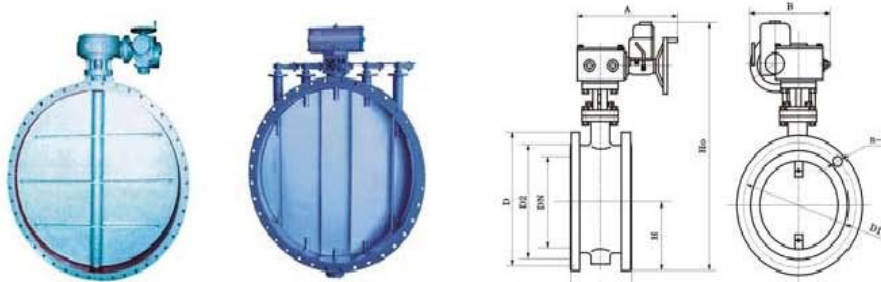
Deseen International

Cast steel valve and Stainless valve



8、通风蝶阀 Aeration butterfly valve

D(9/6)41W-0.5/2.5/6C.P.R.V系列电动、气动法兰式通风蝶阀
Electric drive, pneumatic drive flange type aeration butterfly valve



D941W

用途及特点 Purpose and characteristic

本蝶阀采用与阀体相同材料加工成密封圈，采用电或气动，同时具有手动功能。其适用温度随阀体选材而定，一般适用于电力工业、冶金、建材环保等管道作通风调节介质和一般性切断流量之用。其主要特点为：

- 1、设计新颖、合理，结构独特，重量轻，启闭迅速。
- 2、操作力矩小，操作方便，省力灵巧。
- 3、采用适当的材料以满足低、中、高不同介质温度及其腐蚀性介质等。

This butterfly valve use the same material as body to process gasket, use electric drive or pneumatic drive, the suitable temperature is according to material of body, nominal pressure is 0.6Mpa, generally, it is utilized in pipe of industry, metallurgy, environmental protection etc. as ventilation and adjust medium flux. The main characteristic as below:

1. Novel and reasonable design, particular configuration, light, and open and close rapidly.
2. Small operative moment, operation easily, laborsaving and skillful.
3. Use suitable material to satisfy low, middle, high different medium and corrosive medium etc.

采用标准 Adoption standard

设计标准 Design standard:
 GB/T12238-1989 JB/T8692-1998GB9115.6-11-89
 结构长度 Structure length:GB/T12221-1989
 压力试验 Pressure test: GB/T13927-92; JB/T909 2-1999

主要技术参数 Main technology parameter

公称口径 Nominal diameter	DN(mm)	50 - 2000		
公称压力 Nominal pressure	PN(MPa)	0.05	0.25	0.6
试验压力 P_t (MPa) Test pressure	强度试验 Shell test	0.075	0.375	0.9
	密封试验 Seal test	5% (或用户指定)		
适用介质 Appropriate medium	煤气、含尘气体、烟道气等 Coal gas, gas containing dust, flue gas			
驱动形式 Drive modality	手动、气传动、电传动 Pneumatic drive, electric drive			

主要零件的材质 Material for main parts

零件名称 Parts name	材料 Material
阀体 Body	铸钢件、铸钢、不锈钢、铸镍钼钛钢、铸钼钛钢等特殊材料 Cast steel, stainless steel, Cr. Ni. Mo. Ti Steel, Cr. Mo. Ti Steel and ad hoc material
蝶板 Disc	铸钢件、铸钢、不锈钢、铸镍钼钛钢、铸钼钛钢等特殊材料 Cast steel, stainless steel, Cr. Ni. Mo. Ti Steel, Cr. Mo. Ti Steel and ad hoc material
密封圈 Seal ring	与阀体相同 Same as body of valve
阀杆 Stem	碳钢、2Cr13、不锈钢、铸镍钼钛钢 Carbon steel, 2Cr13, stainless steel, Cr. Ni. Mo. Ti steel
填料 Packing	氟塑料、柔性石墨 Fluorine plastic, flexible graphite

Deseen International

Cast steel valve and Stainless valve



D641W-0.6 C.P.R.V系列通风蝶阀连接尺寸 Series aeration butterfly valve connection dimensions

公称直径DN Nominal diameter		结构长度(标准值) Structure length (standard)	外形尺寸(参考值) External dimension(consult)				连接尺寸(标准值) Connection dimension(standard)						参考重量 (kg) Consult wight
							0.05MPa和0.25MPa			0.6MPa			
毫米mm	英寸inch	L	H	Ho	A	B	D	D1	n-d	D	D1	n-d	
50	2	108	70	337	180	65	140	110	4-14	140	110	4-14	16
65	2 1/2	112	80	357	180	65	160	130	4-14	160	130	4-14	17
80	3	114	95	385	180	65	190	150	4-18	190	150	4-18	19
100	4	127	105	405	180	65	210	170	4-18	210	170	4-18	22
125	5	140	120	483	245	72	240	200	8-18	240	200	8-18	27
150	6	140	132	508	245	72	265	225	8-18	265	225	8-18	31
200	8	152	160	566	245	72	320	280	8-18	320	280	8-18	47
250	10	165	187	623	245	72	375	335	12-18	375	335	12-18	68
300	12	178	220	750	355	93	440	395	12-22	440	395	12-22	79
350	14	190	245	803	355	93	490	445	12-22	490	445	12-22	130
400	16	216	270	852	355	93	540	495	16-22	540	495	16-22	141
450	18	222	297	907	355	93	595	550	16-22	595	550	16-22	190
500	20	229	322	960	355	93	645	600	20-22	645	600	20-22	225
600	24	267	377	1080	550	350	755	705	20-26	755	705	20-26	245
700	28	292	430	1185	550	350	860	810	24-26	860	810	24-26	320
800	32	318	467	1300	550	350	975	920	24-30	975	920	24-30	405
900	36	330	537	1400	550	350	1075	1020	24-30	1075	1020	24-30	500
1000	40	410	587	1500	550	350	1175	1120	28-30	1175	1120	28-30	700
1200	48	470	702	1825	600	350	1375	1320	32-30	1405	1340	32-33	750

D941W-0.6 C.P.R.V系列通风蝶阀连接尺寸 Series aeration butterfly connection dimensions

公称直径DN Nominal diameter		结构长度(标准值) Structure length (standard)	外形尺寸(参考值) External dimension(consult)				连接尺寸(标准值) Connection dimension(standard)						参考重量 (kg) Consult wight
							0.05MPa和0.25MPa			0.6MPa			
毫米mm	英寸inch	L	H	Ho	A	B	D	D1	n-d	D	D1	n-d	
50	2	108	70	418	250	225	140	110	4-14	140	110	4-14	42
65	2 1/2	112	80	438	250	225	160	130	4-14	160	130	4-14	53
80	3	114	95	466	250	225	190	150	4-18	190	150	4-18	62
100	4	127	105	486	250	225	210	170	4-18	210	170	4-18	81
125	5	140	120	516	325	245	240	200	8-18	240	200	8-18	90
150	6	140	132	541	325	245	265	225	8-18	265	225	8-18	100
200	8	152	160	779	325	245	320	280	8-18	320	280	8-18	110
250	10	165	187	836	363	313	375	335	12-18	375	335	12-18	145
300	12	178	220	901	363	313	440	395	12-22	440	395	12-22	160
350	14	190	245	954	363	313	490	445	12-22	490	445	12-22	215
400	16	216	270	1003	363	313	540	495	16-22	540	495	16-22	230
450	18	222	297	1058	465	439	595	550	16-22	595	550	16-22	250
500	20	229	322	1111	546	556	645	600	20-22	645	600	20-22	280
600	24	267	377	1233	546	556	755	705	20-26	755	705	20-26	370
700	28	292	430	1338	546	556	860	810	24-26	860	810	24-26	400
800	32	318	467	1452	546	556	975	920	24-30	975	920	24-30	560
900	36	330	537	1588	632	706	1075	1020	24-30	1075	1020	24-30	80
1000	40	410	587	1689	632	706	1175	1120	28-30	1175	1120	28-30	680
1200	48	470	702	1938	632	706	1375	1320	32-30	1405	1340	32-33	950
1400	56	530	782	2670	790	1338	1575	1520	36-30	1630	1560	36-36	1280
1600	64	600	895	2810	868	1476	1790	1730	40-30	1830	1760	40-36	1510
1800	72	670	995	3020	868	1476	1990	1930	44-30	2045	1970	44-39	2500
2000	80	760	1095	3220	965	1600	2190	2130	48-30	2265	2180	48-42	2900

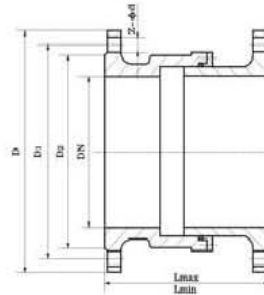
Deseen International

Cast steel valve and Stainless valve



9、管道伸缩器 Tubing extension device

GSX-6.10.16.25系列法兰式管道伸缩器
GSX-6.10.16.25 serial of flange tubing extension device



用途及特点 Purpose and characteristic

GSX管道伸缩器（又名伸缩节），在一定范围内可轴向伸缩，也能在一定的角度范围内克服管道对接不同轴而产生的偏移，本产品用于管道不需要温度补偿，只作拆卸阀门用，配装限位螺栓可以限位。

GSX pipe Telescopic device can flex axially in definite range, and can overcome excursion which has been caused from pipe connect with different shaft. this product utilized in pipe needn't temperature compensation, only use as remove valve, equip with retaining screw can stop.

采用标准 Adoption standard

法兰连接尺寸 Flange connection dimension:

GB/T9113、GB/T9115、JB78;

压力试验 Pressure test 公称直径 Nominal diameter

GB/T13927-1992;

同样符合ISO 5208-93或BS6755-I-86

主要技术参数 Main technology parameter

公称压力 Nominal pressure	0.6MPa	1.0MPa	1.6MPa	2.5MPa
强度试验压力 Strength Test pressure	0.9MPa	1.5MPa	2.4MPa	3.75MPa
适用温度 Appropriate temperature	-29 - 125℃ 特殊 Special 250℃			
适用介质 Appropriate medium	淡水、海水、污水及轻质油品、空气、空气等 Freshwater, seawater, sewerage and Light oil			

主要零件的材质 Zmaterial for main parts

零件名称 Parts name	材料 Material
伸缩座 Flexible seat	铸铁、铸钢、碳钢焊接件、不锈钢 Cast iron, cast steel, Carbon steel Weld parts, stainless steel
伸缩管 Flexible tube	铸铁、铸钢、碳钢焊接件、不锈钢 Cast iron, cast steel, Carbon steel Weld parts, stainless steel
密封圈 Seal	丁腈橡胶、氯丁橡胶、乙丙橡胶、硅橡胶、氟橡胶 Styrene rubber, neoprene, ethane propyl rubber, silicon rubber, fluorine rubber

Deseen International

Cast steel valve and Stainless valve



SDX-16 连接尺寸 Connection dimensions

公称通径 DN Nominal diameter		连接尺寸(标准值) Connection dimension(standard)								结构长度(标准值) Structure length(standard)	
		0.6MPa				1.0MPa				最长 Lmax	最短 Lmin
毫米mm	英寸inch	D	D1	D2	Z-φd	D	D1	D2	Z-φd		
80	3	190	150	124	4-18	200	160	132	8-18	252	202
100	4	210	170	144	4-18	220	180	156	8-18	252	202
125	5	240	200	174	8-18	250	210	184	8-18	269	202
150	6	265	225	199	8-18	285	240	211	8-22	261	202
200	8	320	280	254	8-18	340	295	266	8-22	306	246
250	10	375	335	309	12-18	395	350	319	12-22	311	251
300	12	440	395	363	12-22	445	400	370	12-22	313	253
350	14	490	445	413	12-22	505	460	429	16-22	327	267
400	16	540	495	463	16-22	565	515	480	16-22	341	271
450	18	595	550	518	16-22	615	565	530	20-26	341	271
500	20	645	600	568	20-22	670	620	582	20-26	351	281
600	24	755	705	667	20-26	780	725	682	20-30	380	310
700	28	860	810	772	24-26	895	840	794	24-30	420	350
800	32	975	920	878	24-30	1015	950	901	24-33	462	387
900	36	1075	1020	978	24-30	1115	1050	1001	28-33	478	403
1000	40	1175	1120	1078	28-30	1230	1160	1112	28-36	500	410
1200	48	1405	1340	1295	32-33	1455	1380	1328	32-39	520	420
1400	56	1630	1560	1510	36-36	1675	1590	1530	36-42	550	450

SDX-16/25 连接尺寸 Connection dimensions

公称通径 DN Nominal diameter		连接尺寸(标准值) Connection dimension(standard)								结构长度(标准值) Structure length(standard)	
		1.6MPa				2.5MPa				最长 Lmax	最短 Lmin
毫米mm	英寸inch	D	D1	D2	Z-φd	D	D1	D2	Z-φd		
80	3	200	160	132	8-18	200	160	132	8-18	252	202
100	4	220	180	156	8-18	235	190	156	8-22	252	202
125	5	250	210	184	8-18	270	220	184	8-26	259	202
150	6	285	240	211	8-22	300	250	211	8-26	261	202
200	8	340	295	266	12-22	360	310	274	12-26	306	246
250	10	405	355	319	12-26	425	370	330	12-30	311	251
300	12	460	410	370	12-26	485	430	387	16-30	313	253
350	14	520	470	429	16-26	555	490	448	16-33	327	267
400	16	580	525	480	16-30	620	550	503	16-36	341	271
450	18	640	585	548	20-30	670	600	548	20-36	341	271
500	20	715	650	609	20-33	730	660	609	20-36	351	281
600	24	840	770	720	20-36	845	770	720	20-39	380	310
700	28	910	840	794	24-36	960	875	820	24-42	420	350
800	32	1025	950	901	24-39	1085	990	928	24-48	462	387
900	36	1125	1050	1001	28-39	1185	1090	1028	28-48	478	403
1000	40	1255	1170	1112	28-42	1320	1210	1140	28-56	500	410
1200	48	1485	1390	1328	32-48	1530	1420	1350	32-56	520	420
1400	56	1685	1590	1530	36-48	1755	1640	1560	36-62	550	450

Deseen International

Cast steel valve and Stainless valve



10、安装使用与维修 Installation usage and servicing

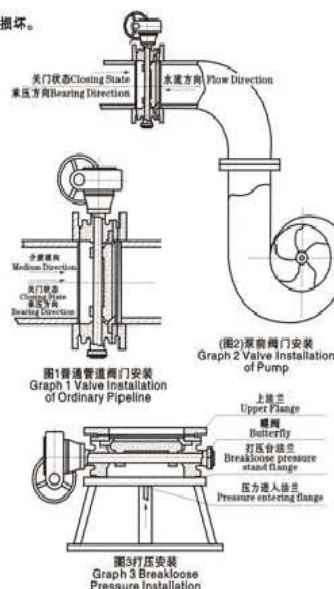
一、运输与贮存 Transport and Storage

- 蝶阀在搬运过程中，应对两密封面加以保护，以防止碰伤。
- 蝶阀应在防雨、防尘、干燥处存放，使蝶板处于开启5°-10°状态，并加以遮盖，防止杂质进入密封面。
- During transport, the two seal faces of butterfly valve should be well protected to avoid damage.
- Keep butterfly valves in a rain-proof, dust-proof and dry place, with disc opened at 5°-10°. Keep them covered to avoid impurities entering sealing face.

二、安装使用注意事项 Notes for Installation and Operation

- 安装前应核对蝶阀规格、压力、温度、耐腐蚀性是否满足使用要求。
- 应检查各部件是否损坏或松动。
- 本蝶阀可安装在任意角度的管道上，应关闭安装为宜；焊接管道法兰时应将蝶阀密封口用板挡住以防止颗粒、杂质划伤密封面，焊后取下蝶阀，对蝶阀密封面及管道内腔进行清洁，然后再安装固定蝶阀。
- 安装时请注意蝶阀关闭状态承压方向，普通管道蝶阀安装按(图1)泵前蝶阀安装按(图2)。
- 安装前应将密封面(两端密封面、蝶板密封面、阀座密封面)彻底擦干净，去掉灰尘和污物。
- 安装前应空试蝶阀，启闭应灵活，启闭位置与指针指示位置相符合。
- 手动操作顺时针为关，逆时针为开，指针指示到位后不准再加力启闭蝶阀。
- 蝶阀做压力试验时，不准用单法兰进行安装试压，必须采用双法兰安装试压(见图3)。其试验压力应符合GB/T13927-92标准规定。
- 紧固螺栓时应对称交替进行紧固，不准依次单独紧固。
- 限位螺钉出厂前，已经调好，不准轻易调整。若配置驱动装置为电动、气动时请阅读配套驱动装置说明书。
- 电动蝶阀出厂时已将控制机构的启闭行程调好，为防止电源接通时方向搞错，用户在第一次接通电源前要先手动开启至半开位置，再按点动开关，检查指示盘方向与蝶阀开启方向一致即可。
- 发现蝶阀启闭失常应查明原因进行修理和排除，禁止用加力方法开关蝶阀，造成蝶阀的损坏。
- 蝶阀故障实在无法排除，请通知我们我们将为您做好产品安装使用售后服务。

- Before installation, check whether the specifications, pressure, temperature and anti-corrosion property of butterfly valve are in accordance with the requirements, and make sure that all components are not damaged and loosened.
- This butterfly valve may be installed to pipeline of arbitrary angles. It is optimal to be installed under closing state. When welding pipeline flange, place a plate before valve seal to avoid granules and impurities damaging sealing surface. After welding, take off valve and clean valve sealing face and pipeline, and then install and fix valve.
- When installing, note the bearing direction under closing state. Refer to Graph 1 for installing ordinary pipeline valve and Graph 2 for installing pump valve.
- Before installation, thoroughly clean away the dust and dirt in sealing face (sealing faces at two ends, disc sealing face and seat sealing face)
- No-load test should be carried out before installation to make sure the flexibility of on-off position being in accordance with pointer indication.
- For hand operation, clockwise is for OFF and anticlockwise is for ON. When pointer is positioned, don't open or close valve.
- Upon pressure test, never use single flange to carry out pressure test. Instead, you must use double flange. (See graph 3). Its test pressure should be in accordance with GB/T13927-92 standard.
- Fasten bolts symmetrically in turn. Never do it independently one by one.
- The limit bolt has been adjusted already before going out of factory, no random adjustment is allowed. If the driving device being electric or pneumatic, please read carefully the manual of driving device.
- The start-stop stroke of the control mechanism of electric butterfly valve has been adjusted before going out of factory. To avoid misdirection of power connection, when first connecting power supply, make it half open by hand. And then, press switch and check to make sure of the same direction of indicator dial and valve's opening.
- Carry out troubleshooting measures if valves don't start or stop normally. To open and close valves by hard pressing is prohibited, as it may damage the valves.
- In case that errors cannot be treated, inform us and we'll provide you with after-sale service of installation and operation.



三、可能发生的故障及消除方法 Probably hitch and solution

故障现象 Troublesome	原因 Cause	消除方法 Solution
密封面泄漏 leakage of facing	<ol style="list-style-type: none"> 蝶板、密封圈夹有杂质。 蝶板、密封关闭位置吻合不正。 出口侧配装法兰螺栓受力不均或未压紧。 	<ol style="list-style-type: none"> 消除杂质，清洗蝶阀内腔。 调整蜗轮或电动执行器等执行机构的限位螺钉，以达到阀门关闭位置正确。 查配装法兰平面及螺栓压紧力，应均匀压紧。 按箭头方向进行施压。
蝶阀两端面泄漏 leakage of both ends	<ol style="list-style-type: none"> 两侧密封垫片失效。 管法兰压紧力不均或未压紧。 	<ol style="list-style-type: none"> 更换密封垫片。 压紧法兰螺栓(均匀用力)。